

GENERAL

The Model OG High Flow Meter is designed to handle flow rates up to 20 GPM. The meter is designed specifically to dispense motor oils (S.A.E. 5-50), gear oils (S.A.E. 80-240), automatic transmission fluid, antifreeze (Ethylene Glycol), and engine coolant. Modular design, low cost, lightweight and rugged design make the OG the best choice for all types of applications.

The low temperature LCD of the model OG-HF also has an operating temperature range of -4°F to 140°F providing a broader range of application environments. The electronic register module contains a microprocessor board powered by a lithium battery. It can be programmed to dispense in pints, quarts, liters, or gallons and will totalize in liters or gallons. The meter calibration factor is determined during factory test. The meter can be recalibrated in the field for fluids or different viscosity if required. A 6-digit liquid crystal display, accurate to the second decimal place, shows the exact amount of fluid dispensed. The entire register module is protected from the wear and tear of normal shop use by a rugged, glass filled, shock resistant, nylon housing. An optional rubber boot is available.

OPERATION

As fluid passes through the metering chamber by entering the inlet port, it forces the internal gears to rotate and exits through the outlet port. Each rotation of the gear displaces a given volume of fluid.

The display shows the amount of fluid dispensed since the last time the reset button was pushed. Pushing the reset button will reset the display to zero for the next dispense.

To Change Unit of Measure

1. Press the TOTAL button three times followed by the RESET button three times in a time frame of under 2 seconds. The active unit of measure symbol will flash when you have entered programming mode.
2. Press the RESET button until desired unit of measure appears flashing on the display.
3. When finished press and hold the RESET and TOTAL buttons simultaneously for 3 seconds to exit programming mode.

The display will flash three times and then go blank to indicate the changes have been saved. Push the Reset button to turn the display back on.



⚠ CAUTION

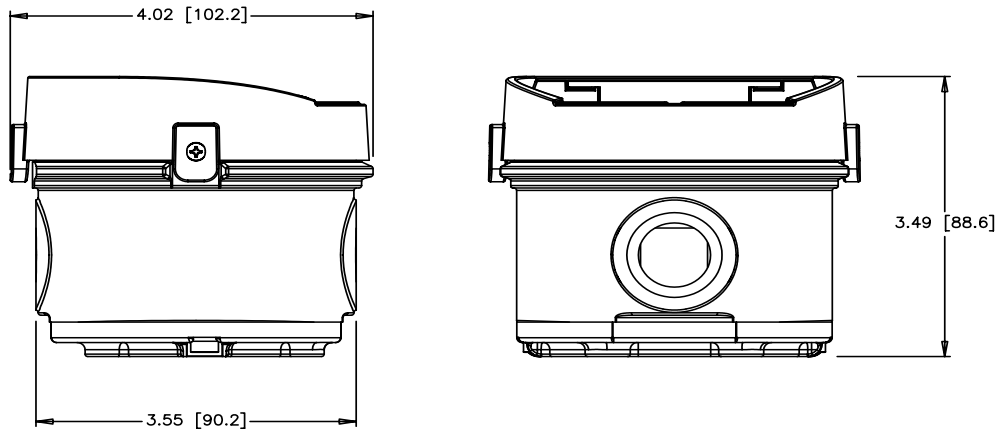
The use of meters in applications other than those described in this material may result in inaccuracy and possible meter failure. This meter is designed for petroleum-based products. It is also important that fluids be properly filtered before entering the meter. Foreign particles will cause inaccuracy as well as possible malfunction of the meter. Warranties are void in the circumstances described above.

FEATURES

- 1500 PSI Pressure Rating
- NPT and BSP Threads available
- Large Six Digit LCD Display with two decimal point precision
- Dispense Total Display in Pints, Quarts, Gallons or Liters
- Unit of measure selectable from the front of register
- Totalization in Gallons and Liters
- Resettable & Non Resettable Totalizer
- Display Operation Temperature Range -4° F to 140° F
- Low Battery Indicator
- Long life Field replaceable Top load battery
- Accuracy of (+-) 0.5%
- Calibration factor programmable from front of register
- Calibration Factor saved in non-volatile memory



Dimensional Drawing



SPECIFICATIONS

	OG Meter	
	English	Metric
Maximum Flow *	20 gpm	80 liters/minute
Minimum Flow *	0.80 gpm	3.0 liters/minute
Operating Pressure (Maximum)	1500 psi	103 bar
Operating Pressure (Minimum)	5 psi	.35 bar
Operating Temperature (Maximum)	140° F	60° C
Operating Temperature (Minimum)	-4° F	-20° C
Accuracy	+/- 0.5%	+/-0.5%
Weight, Less Handle	1.8 lbs.	0.82 kg
5- Digit LCD Display, 5/16" High (8 mm)	Pints-Quarts-Gallons	Liters
Inlet & Outlet Connections	3/4" NPTF	3/4" BSPP

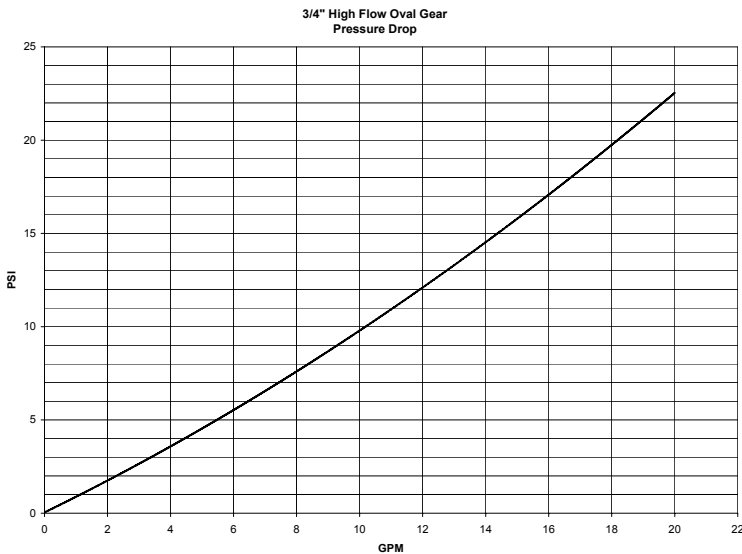
NOTE: Changing any unit of measure will reset the non-resettable and resettable totalizers.

PROGRAM SCALE FACTOR

- Press the TOTAL button three times followed by the RESET button three times in a time frame of under 2 seconds. The active unit of measure symbol will flash when you have entered programming mode
- Press the TOTAL button to advance to the first digit of the scale factor.
- The selected digit will blink and pushing the RESET button will change the value.
- When you have selected the proper value then push the TOTAL button to move to the next digit.
- Continue this process until the correction factor has been entered.
- When finished press and hold the RESET and TOTAL buttons simultaneously for 3 seconds to exit programming mode.

The display will flash three times and then go blank to indicate the changes have been saved.

* Tested with Mobil DTE-25 motor oil at ambient temperature. Min. Max. flow rates will vary with fluid viscosity.



Please ensure that the fluid is properly filtered before entering meter. Foreign particles will cause inaccuracy as well as malfunction of meter.



Please see our website at
www.badgermeter.com
 for specific regions and contacts.

Due to continuous research, product improvements and enhancements, Badger Meter reserves the right to change product or system specifications without notice, except to the extent an outstanding contractual obligation exists.



BadgerMeter, Inc.
 P.O. Box 245036, Milwaukee, WI 53224-9536
 Telephone: (414) 355-0400 / (877) 243-1010
 Fax: (414) 355-7499 / (866) 613-9305
www.badgermeter.com