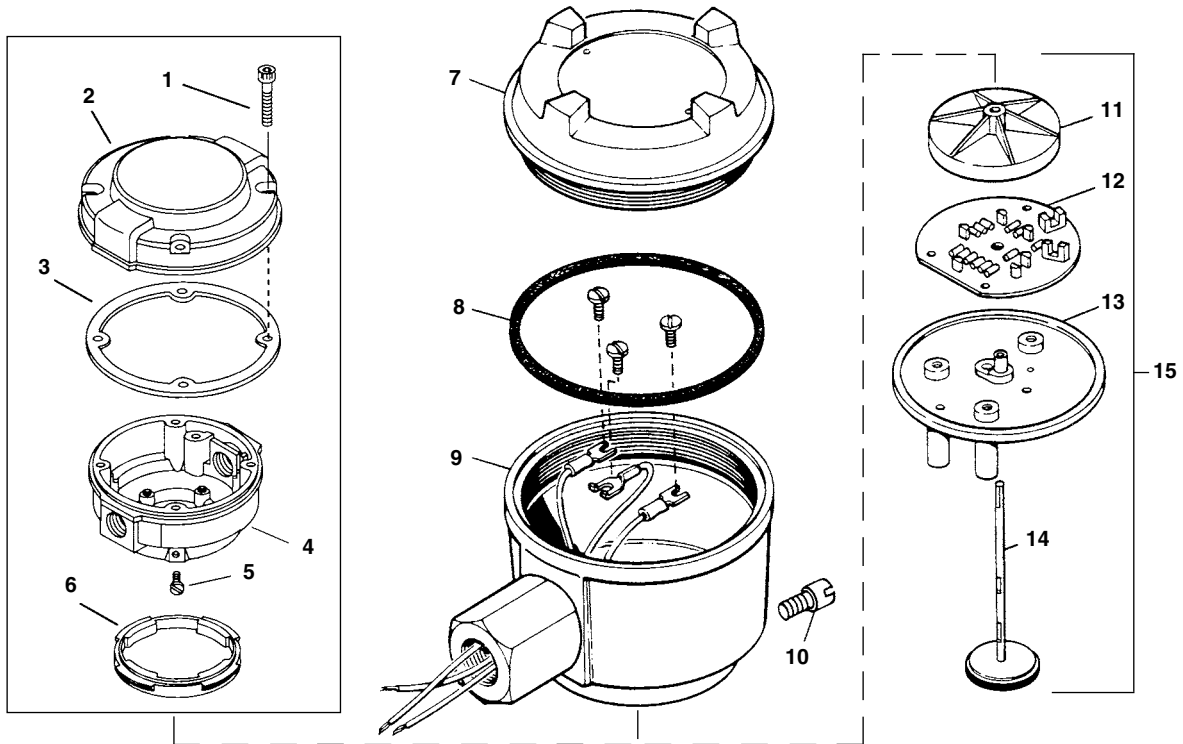


Models EPT-1, PEPT-1 & EPT-1XP

Electronic Unscaled Pulse Transmitters

Repair Parts



ITEM NO.	PART DESCRIPTION	PART NUMBER
1	Fill. Head Screw, #10-32 x 3/4 (PEPT-1)	55058-225
2	Clear Cover (PEPT-1).....	58852-001
3	Gasket (PEPT-1).....	58855-001
4	Lower Housing Assembly (PEPT-1)	58875-001
5	Seal Screw, (For SC-ER, Rear Drive OP, PEPT-1).....	25361-000
6	Adapter (For use with SC-ER, Rear Drive OP Meter Units, PEPT-1).....	62087-001
7	Housing Cover (EPT-1).....	32611-000
8	Tetraseal (EPT-1).....	22559-024
9	Housing Assembly (EPT-1).....	63424-001
9	Housing Assembly (EPT-1XP, RCDL Only)	63424-002
10	Seal Screw, Housing (EPT-1)	22533-004
11	Timing Disc.....	57706-001
12	PC Board Assembly	57710-001
13	Frame Only.....	57713-001
14	Drive Magnet & Spindle Assembly	57709-001
15	Frame & Electronics Assembly.....	57741-001

IRP-069-04
Part No. 53401-069

3-09



Please see our website at
www.badgermeter.com
for specific regions and contacts.

Due to continuous research, product improvements and enhancements, Badger Meter reserves the right to change product or system specifications without notice, except to the extent an outstanding bid obligation exists.



BadgerMeter, Inc.
P.O. Box 245036, Milwaukee, WI 53224-9536
Telephone: (414) 355-0400 / (800) 456-5023
Fax: (414) 355-7499 / (866) 613-9305
www.badgermeter.com