



Badger Meter

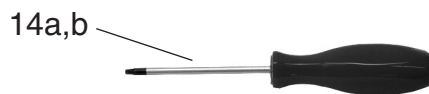
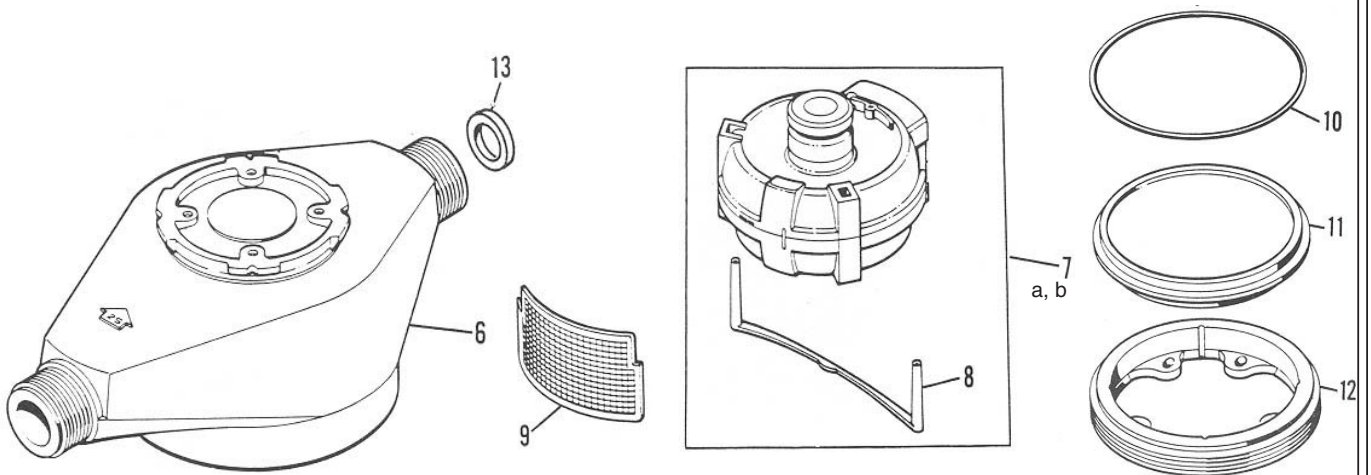
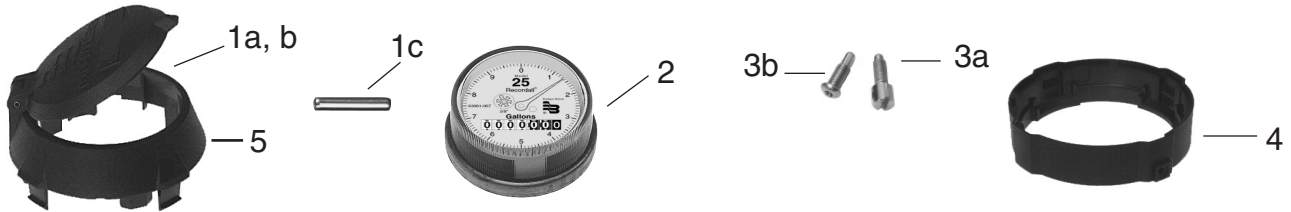
**Recordall® Engineered Polymer Disc Series Meters
Models 25 and 40**



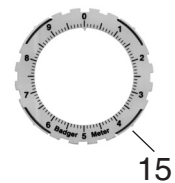
5/8", 5/8" X 3/4"



1"



Note: For prices, see Repair Parts Price List S-3541. Give model size, complete part description and part number.



METER PARTS

Item No.	Name of Part	Model 25	Model 40
1a	Register Flat Lid (Plastic).....	62278-001	62278-001
1b	Register Flat Lid (Bronze).....	62353-001	62353-001
1c	Flat Lid Hinge Pin.....	59568-003	59568-003
2	Register Assembly For:		
	U.S. Gallons	63961-002	63961-004
	Cubic Feet	63961-003	63961-005
	Imperial Gallons.....	63961-016	63961-017
	Cubic Meters.....	63961-007	63961-008
3a	Screw Tamper-Resistant, Standard (For Local Register).....	62335-001	62335-001
	Screw Tamper-Resistant, Standard (For Generator Register, Not Shown).....	62624-001	62624-001
3b	Tamper-Resistant TORX® Seal Screw (For Local Register).....	62516-001	62516-001
	Tamper-Resistant TORX® Seal Screw (For Generator Register Not Shown).....	62516-002	62516-002
4	Plastic Shroud (Bottom Half).....	62279-001	62279-001
5	Plastic Shroud (Top Half)	62280-001	62280-001
6	Housing, 5/8", 7 1/2" Laying Length.....	34513-001	-----
	Housing, 5/8" x 3/4", 7 1/2" Laying Length, 3/4" Bore.....	34513-002	-----
	Housing, 5/8" x 3/4", 7 1/2" Laying Length, 5/8" Bore.....	34513-006	-----
	Housing, 1", 10 3/4" Laying Length.....	-----	34522-001
7a	Chamber and Disc Assembly Engineered Polymer w/Strap	33334-009	33334-010
8	Chamber Retainer Strap	34547-001	34547-001
9	Screen.....	34333-001	34371-001
10	Housing Bottom "O" Ring Seal	22650-047	22650-048
11	Housing Bottom	34529-001	34530-001
12	Retainer Ring	34526-001	34527-001
13	Connection Washer (Rubber) for:		
	5/8", 7 1/2" Housings	11012-001	-----
	5/8" x 3/4", 7 1/2" Housings	14143-000	-----
	3/4", 9" Housings	14143-000	14143-000
	1", 10 3/4" Housings	-----	18177-000
14a	TORX® Seal Screw Driver & Bit (Stubby).....	62658-001	62658-001
14b	TORX® Seal Screw Driver & Bit (Long).....	62658-003	62658-003
	TORX® Seal Screw Driver Bit (Not Illustrated)	62657-001	62657-001
15	Register Test Ring.....	62446-001	62446-001
16	Plastic Shroud Disassembly Tool.....	62346-001	62346-001
	Disassembly Tool For Housing Bottom (Not Illustrated).....	34754-001	34754-001
	Chamber Assembly Service Parts:		
	O-Ring for Engineered Polymer Chamber.....	22650-045	22650-046
	O-Ring for All Engineered Polymer Chamber.....	64083-006	-----
	Thrust Roller	58965-001	58965-003
	Dovetail Thrust Roller Insert for Plastic Chamber.....	33342-000	33758-000

Recordall is a registered trademarks of Badger Meter, Inc.

Other trademarks appearing in this document are the property of their respective entities.

Copyright 2011, Badger Meter, Inc. All rights reserved.



Due to continuous research, product improvements and enhancements, Badger Meter reserves the right to change product or system specifications without notice, except to the extent an outstanding contractual obligation exists.