

**Recordall® Bronze  
Disc Series Meters**

**For Potable and Reclaimed Water  
Models 120 and 170**

**Repair  
Parts**

**1 1/2"**

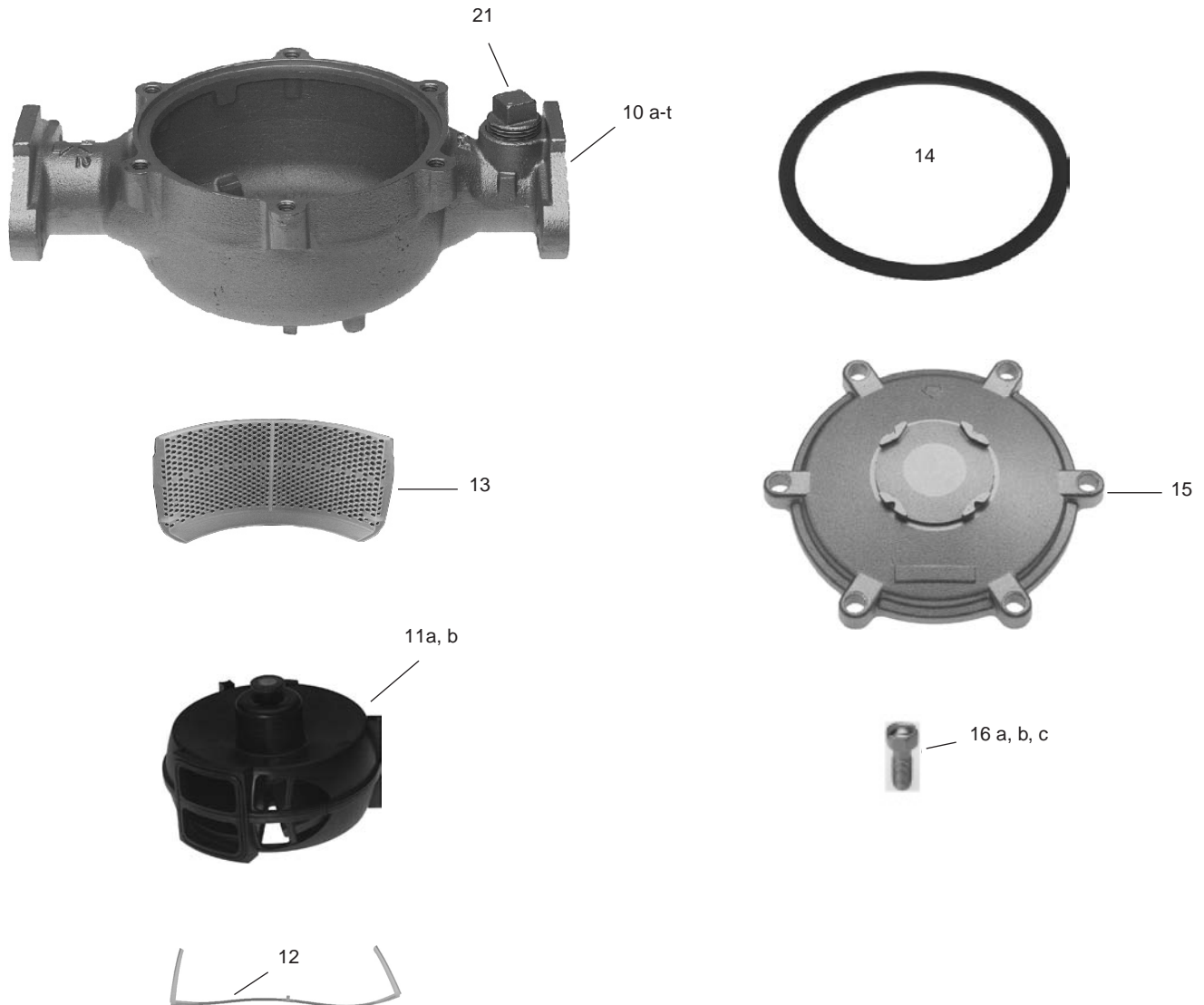
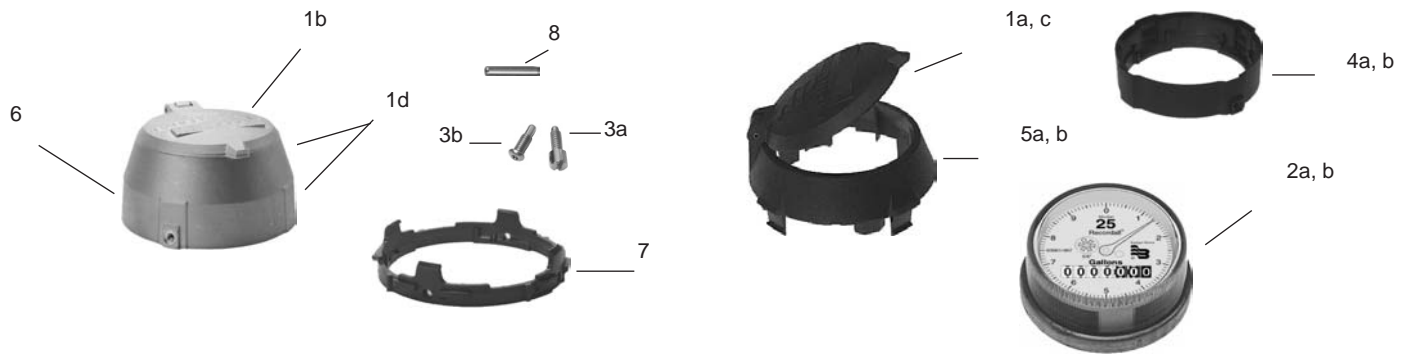
RCDL-120  
Bronze



**2"**

RCDL-170  
Bronze





NOTE: See Repair Parts Price List S-3541. Give model size, complete part description, and part number.

**METER PARTS**

<b>Item No.</b>	<b>Name of Part</b>	<b>Model 120</b>	<b>Model 170</b>
1a	Register Flat Lid (Plastic)	62278-001	62278-001
1b	Register Flat Lid (Bronze)	62353-001	62353-001
1c	Register Flat Lid (Purple) "RECLAIMED"	62740-001	62740-001
1d	Register Flat Lid and Shroud (Bronze)	62616-001	62616-001
2a	Register Assembly: U.S. Gallons	63961-011	63961-057
	Cubic Feet	63961-012	63961-058
	Imperial Gallons	63961-019	63961-076
	Cubic Meters	63961-014	63961-059
2b	Reg. Assy. "RECLAIMED": U.S. Gallons	63961-095	63961-097
	Cubic Feet	63961-096	63961-098
3a	Screw Tamper-resistant, standard (for Local Register)	62335-001	62335-001
3b	Tamper Resistant TORX® Seal Screw (for Local Register)	62516-001	62516-001
3c	Tamper Resistant TORX® Seal Screw (for Generator Register not shown)	62516-002	62516-002
3d	Screw Tamper-resistant, standard (for Generator Register not shown)	62624-001	62624-001
4a	Plastic Shroud (Bottom Half)	62279-001	62279-001
4b	Plast. Shroud (Bot. Half) "RECLAIMED"	62279-003	62279-003
5a	Plastic Shroud (Top Half)	62280-001	62280-001
5b	Plastic Shroud (Top Half) "RECLAIMED"	62280-002	62280-002
6	Bronze Shroud (For Flat Lid)	62442-001	62442-001
7	Pls. Insert for Flat Lid Brz. Shroud	62455-001	62455-001
8	Flat Lid Hinge Pin	59568-003	59568-003
	<i>(In following list, LL = Lay Length)</i>		
10a	Housing (B81), 1-1/2", ELL, 12-5/8" LL	62175-001	-----
10b	Housing (BIA), 1-1/2", ELL, 12-5/8" LL	62175-029	-----
10c	Housing (B81), 1-1/2", ELL, 12-5/8" LL w/Test Plug	62175-003	-----
10d	Housing. (BIA), 1-1/2", ELL, 12-5/8" LL w/Test Plug	62175-031	-----
10e	Housing (B81), 1-1/2", ELL, 13" LL	62175-002	-----
10f	Housing (BIA), 1-1/2", ELL, 13" LL	62175-030	-----
10g	Housing (B81), 1-1/2", ELL, 13" LL w/Test Plug	62175-004	-----
10h	Housing (BIA), 1-1/2", ELL, 13" LL w/Test Plug	62175-032	-----
10i	Housing (B81), 1-1/2", Hex, 12-5/8" LL	62175-005	-----
10j	Housing (BIA), 1-1/2", Hex, 12-5/8" LL	62175-028	-----
10k	Housing (B81), 2", ELL, 15-1/4" LL	-----	59717-003
10l	Housing (BIA), 2", ELL, 15-1/4" LL	-----	59717-021
10m	Housing (B81), 2", ELL, 15-1/4" LL w/Test Plug	-----	59701-002
10n	Housing (BIA), 2", ELL, 15-1/4" LL w/Test Plug	-----	59701-014
10o	Housing (B81), 2", ELL, 17" LL	-----	59717-005
10p	Housing (BIA), 2", ELL, 17" LL	-----	59717-022
10q	Housing (B81), 2", ELL, 17" LL w/Test Plug	-----	59701-004
10r	Housing (BIA), 2", ELL, 17" LL w/Test Plug	-----	59701-015
10s	Housing (B81), 2", Hex, 12-5/8" LL	-----	59717-001
10t	Housing (BIA), 2", Hex, 12-5/8" LL	-----	59717-020
11a	Chamber Assembly with Strap for Potable Water w/ SS Thrust Roller	33334-017	33334-028
11b	Chamber Assembly Complete w/ Strap for "RECLAIMED" Water	33334-044	33334-046
12	Chamber Retainer Strap	56188-001	56188-001

(continued on next page)

**METER PARTS (Continued)**

<b>Item No.</b>	<b>Name of Part</b>	<b>Model 120</b>	<b>Model 170</b>
13	Screen	62172-001	59720-001
14	Housing Gasket	62171-001	59722-001
15a	Housing Cover (Bronze)	-----	59719-001
15b	Housing Cover (Low Lead Brz.)	62176-001	59719-004
16a	Housing Bolt Seal (Bronze Closure)	59732-001	59732-001
16b	Housing Bolt (Bronze Bolt)	55029-089	55029-089
16c	Housing Bolt, Seal (Bronze Bolt)	25421-042	25421-042
17a	TORX® Seal Screw Driver & Bit (Stubby)	62658-001	62658-001
17b	TORX® Seal Screw Driver & Bit (Long)	62658-003	62658-003
18	TORX® Seal Screw Driver Bit (Not Illustrated)	62657-001	62657-001
19	Register Test Ring	62446-001	62446-001
20	1" Test Plug (LowLead Bronze)	33879-016	33879-016
21	Plastic Shroud Disassembly Tool	62346-001	62346-001
	Chamber Assembly Service Parts:		
	"O" Ring for Chamber	22650-058	22650-059
	LDP Spindle and Magnet Assembly Potable Water	59698-001	59698-001
	LDP Spindle and Magnet Assembly "RECLAIMED"	59698-002	59698-002
	Cross Bar (LDP)	33986-000	59669-001
	Thrust Roller (Plastic)	-----	-----
	Thrust Roller (Stainless Steel)	59746-002	59846-001
	Dovetail Thrust Roller Insert	33985-001	59696-001

Recordall® is a registered trademark of Badger Meter, Inc.  
 TORX® is a registered trademark of Camcar, Division of Textron, Inc.

Due to continuous research, product improvements and enhancements, Badger Meter reserves the right to change product or system specifications without notice, except to the extent an outstanding contractual obligation exists.



Please see our website at  
**www.badgermeter.com**  
 for specific contacts.



**BadgerMeter, Inc.**

P.O. Box 245036, Milwaukee, WI 53224-9536  
 (800) 876-3837 / Fax: (888) 371-5982

www.badgermeter.com