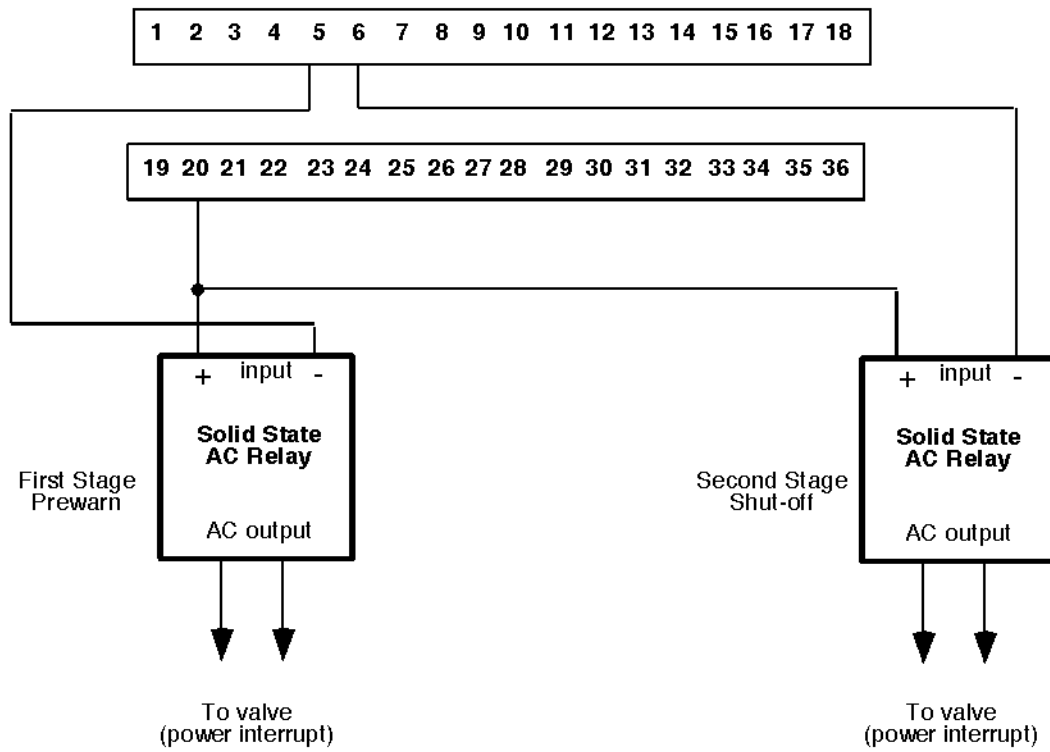


# PC-100 SOLID STATE VALVE CONTROL

## APPLICATION BRIEF

### SPECIAL WIRING PROCEDURES



#### Note

Disconnect wires from terminals 8 & 9



**BadgerMeter, Inc.**

P. O. Box 245036 Milwaukee, WI 53224-9536

Telephone: (414) 355-0400

Fax: (414) 355-7499