

**Recordall® Bronze  
Disc Series Meters**

**For Potable and Reclaimed Water  
Models 120 and 170**

**Repair  
Parts**

**1 1/2"**

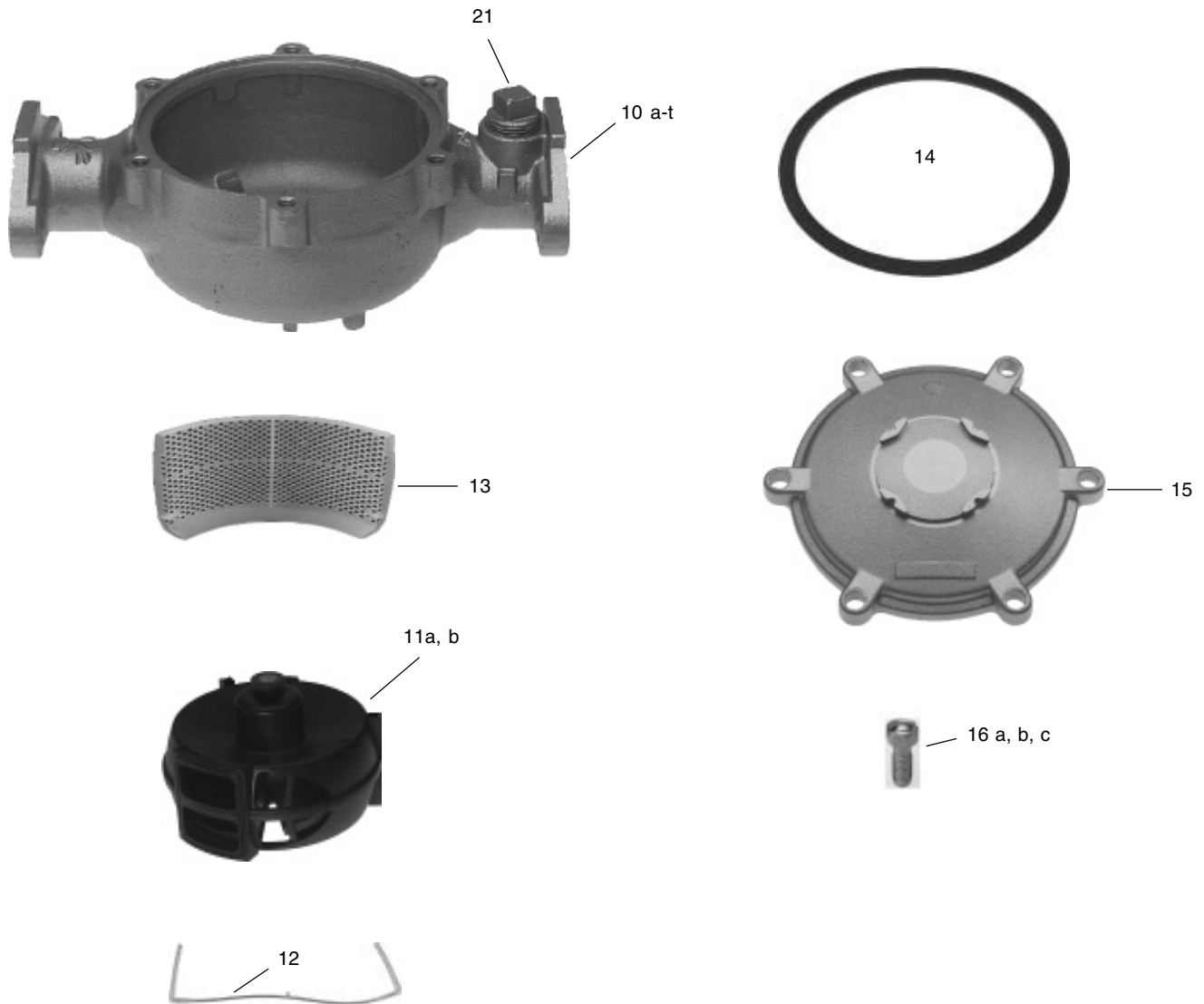
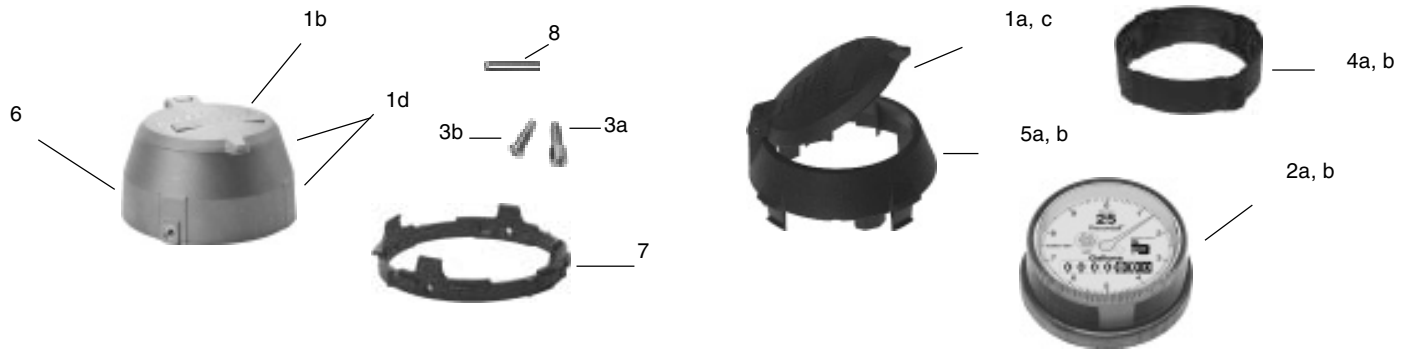
RCDL-120  
Bronze



**2"**

RCDL-170  
Bronze





NOTE: See Repair Parts Price List S-3541. Give model size, complete part description, and part number.

**METER PARTS**

| <b>Item No.</b> | <b>Name of Part</b>   | <b>Model 120</b> | <b>Model 170</b> |
|-----------------|---|------------------|------------------|
| 1a              | Register Flat Lid (Plastic)   | 62278-001        | 62278-001        |
| 1b              | Register Flat Lid (Bronze)  | 62353-001        | 62353-001        |
| 1c              | Register Flat Lid (Purple) "RECLAIMED"                                  | 62740-001        | 62740-001        |
| 1d              | Register Flat Lid and Shroud (Bronze)                                   | 62616-001        | 62616-001        |
| 2a              | Register Assembly: U.S. Gallons   | 63961-011        | 63961-057        |
|                 | Cubic Feet  | 63961-012        | 63961-058        |
|                 | Imperial Gallons  | 63961-019        | 63961-076        |
|                 | Cubic Meters  | 63961-014        | 63961-059        |
| 2b              | Reg. Assy. "RECLAIMED": U.S. Gallons                                    | 63961-095        | 63961-097        |
|                 | Cubic Feet  | 63961-096        | 63961-098        |
| 3a              | Screw Tamper-resistant, standard (for Local Register)                   | 62335-001        | 62335-001        |
| 3b              | Tamper Resistant TORX® Seal Screw (for Local Register)                  | 62516-001        | 62516-001        |
| 3c              | Tamper Resistant TORX® Seal Screw<br>(for Generator Register not shown) | 62516-002        | 62516-002        |
| 3d              | Screw Tamper-resistant, standard<br>(for Generator Register not shown)  | 62624-001        | 62624-001        |
| 4a              | Plastic Shroud (Bottom Half)  | 62279-001        | 62279-001        |
| 4b              | Plast. Shroud (Bot. Half) "RECLAIMED"                                   | 62279-003        | 62279-003        |
| 5a              | Plastic Shroud (Top Half)   | 62280-001        | 62280-001        |
| 5b              | Plastic Shroud (Top Half) "RECLAIMED"                                   | 62280-002        | 62280-002        |
| 6               | Bronze Shroud (For Flat Lid)  | 62442-001        | 62442-001        |
| 7               | Pls. Insert for Flat Lid Brz. Shroud                                    | 62455-001        | 62455-001        |
| 8               | Flat Lid Hinge Pin  | 59568-003        | 59568-003        |
| 10a             | Housing, 1-1/2", ELL, 12-5/8" LL  | 62175-001        | -----            |
| 10b             | Housing (EB2), 1-1/2", ELL, 12-5/8" LL                                  | 62175-018        | -----            |
| 10c             | Housing, 1-1/2", ELL, 12-5/8" Test Plug                                 | 62175-003        | -----            |
| 10d             | Hsng. (EB2), 1-1/2", ELL, 12-5/8" Test Plug                             | 62175-020        | -----            |
| 10e             | Housing, 1-1/2", ELL, 13" LL  | 62175-002        | -----            |
| 10f             | Housing (EB2), 1-1/2", ELL, 13" LL                                      | 62175-019        | -----            |
| 10g             | Housing, 1-1/2", ELL, 13" Test Plug                                     | 62175-004        | -----            |
| 10h             | Housing (EB2), 1-1/2", ELL, 13" Test Plug                               | 62175-021        | -----            |
| 10i             | Housing, 1-1/2", Hex  | 62175-005        | -----            |
| 10j             | Housing (EB2), 1-1/2", Hex  | 62175-022        | -----            |
| 10k             | Housing, 2", ELL, 15-1/4"LL   | -----            | 59717-003        |
| 10l             | Housing (EB2), 2", ELL, 15-1/4"LL                                       | -----            | 59717-015        |
| 10m             | Housing, 2", ELL, 15-1/4" Test Plug                                     | -----            | 59701-002        |
| 10n             | Housing (EB2), 2", ELL, 15-1/4" Test Plug                               | -----            | 59701-009        |
| 10o             | Housing, 2", ELL, 17"LL   | -----            | 59717-005        |
| 10p             | Housing (EB2), 2", ELL, 17"LL   | -----            | 59717-016        |
| 10q             | Housing, 2", ELL, 17" Test Plug   | -----            | 59701-004        |
| 10r             | Housing (EB2), 2", ELL, 17" Test Plug                                   | -----            | 59701-010        |
| 10s             | Housing, 2", Hex  | -----            | 59717-001        |
| 10t             | Housing (EB2), 2", Hex  | -----            | 59717-014        |
| 11a             | Chamber Assembly with Strap for<br>Potable Water w/ SS Thrust Roller    | 33334-017        | 33334-028        |
| 11b             | Chamber Assembly Complete w/ Strap<br>for "RECLAIMED" Water             | 33334-044        | 33334-046        |
| 12              | Chamber Retainer Strap  | 56188-001        | 56188-001        |

(continued on next page)

**METER PARTS (Continued)**

| <b>Item No.</b> | <b>Name of Part</b>                              | <b>Model 120</b> | <b>Model 170</b> |
|-----------------|--|------------------|------------------|
| 13              | Screen   | 62172-001        | 59720-001        |
| 14              | Housing Gasket                                   | 62171-001        | 59722-001        |
| 15b             | Housing Cover (Bronze)                           | 62176-001        | 59719-001        |
| 15b             | Housing Cover (Low Lead Brz.)                    | 62176-002        | 59719-004        |
| 16a             | Housing Bolt Seal (Bronze Closure)               | 59732-001        | 59732-001        |
| 16b             | Housing Bolt (Bronze Bolt)                       | 55029-089        | 55029-089        |
| 16c             | Housing Bolt, Seal (Bronze Bolt)                 | 25421-042        | 25421-042        |
| 17a             | TORX® Seal Screw Driver & Bit (Stubby)           | 62658-001        | 62658-001        |
| 17b             | TORX® Seal Screw Driver & Bit (Long)             | 62658-003        | 62658-003        |
| 18              | TORX® Seal Screw Driver Bit<br>(Not Illustrated) | 62657-001        | 62657-001        |
| 19              | Register Test Ring                               | 62446-001        | 62446-001        |
| 20              | 1" Test Plug (LowLead Bronze)                    | 33879-016        | 33879-016        |
| 21              | Plastic Shroud Disassembly Tool                  | 62346-001        | 62346-001        |
|                 | Chamber Assembly Service Parts:                  |                  |                  |
|                 | "O" Ring for Chamber                             | 22650-058        | 22650-059        |
|                 | LDP Spindle and Magnet Assembly Potable Water    | 59698-001        | 59698-001        |
|                 | LDP Spindle and Magnet Assembly "RECLAIMED"      | 59698-002        | 59698-002        |
|                 | Cross Bar (LDP)                                  | 33986-000        | 59669-001        |
|                 | Thrust Roller (Plastic)                          | -----            | -----            |
|                 | Thrust Roller (Stainless Steel)                  | 59746-002        | 59846-001        |
|                 | Dovetail Thrust Roller Insert                    | 33985-001        | 59696-001        |

Recordall® is a registered trademark of Badger Meter, Inc.  
 TORX® is a registered trademark of Camcar, Division of Textron, Inc.



Please see our website at  
[www.badgermeter.com](http://www.badgermeter.com)  
 for specific contacts.

Due to continuous research, product improvements and enhancements, Badger Meter reserves the right to change product or system specifications without notice, except to the extent an outstanding contractual obligation exists.



**BadgerMeter, Inc.**

P.O. Box 245036, Milwaukee, WI 53224-9536  
 (800) 876-3837 / Fax: (888) 371-5982

[www.badgermeter.com](http://www.badgermeter.com)