

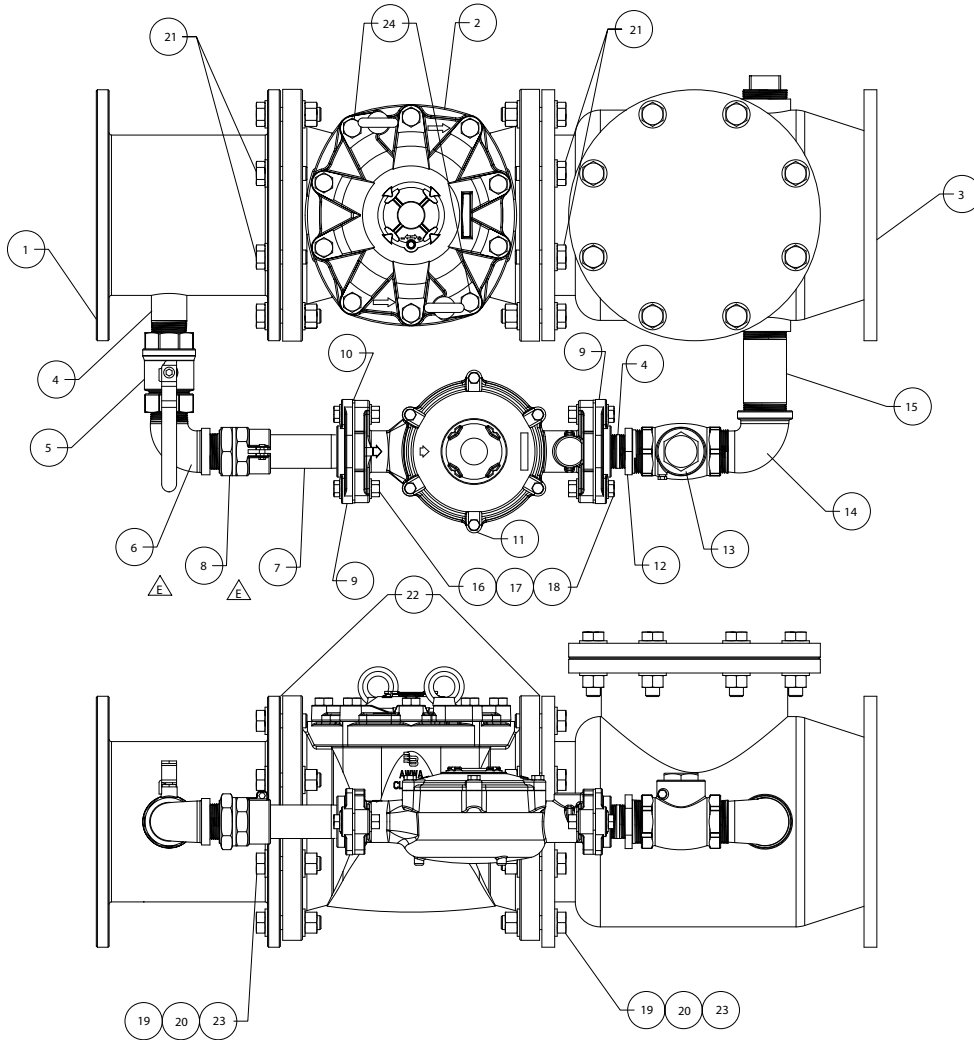
**Cold Water  
Recordall®  
Combo Meter**

**Size 8" (DN 200mm)**

**Repair  
Parts**



# RCM

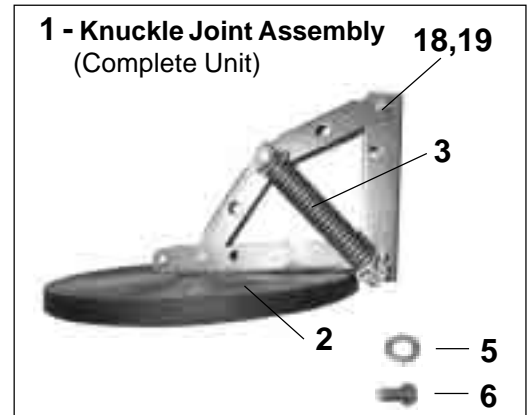
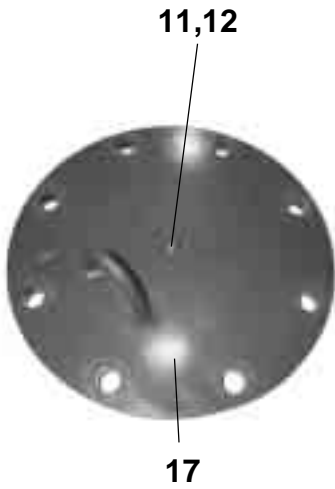
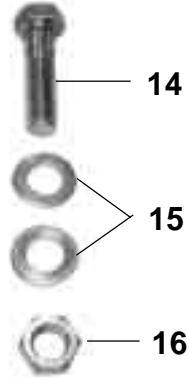
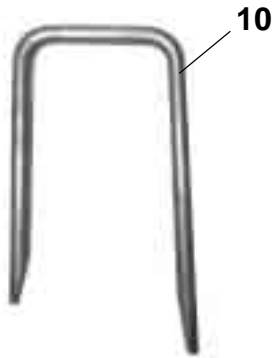


Item	Part Number	Description	Item	Part Number	Description
1	63893-001	Spool Piece (Lay length 9 7/8")	13	26506-007	2" Swing Check Valve
1	63893-002	Spool Piece (Lay length 11 7/8")	14	65046-001	Street Elbow 2"
2	-----	8" CI Turbo Series - combo	15	14711-152	2" x 4½" Nipple
3	63889-003	8" Check Valve	16	55026-174	Bolt 5/8-11 x 2¼" (4 required)
4	14711-137	Close Nipple 1.5" (2 required)	17	55001-061	Nut 5/8-11 (4 required)
5	26506-011	Locking Ball Valve	18	55254-019	Washer 5/8 (8 required)
6	65046-002	Street Elbow 1.5"	19	55026-204	Bolt 3/4-10 x 3 (16 required)
7	63886-008	Nipple 1.5" x 6" - 1 Thd	20	55001-062	Nut 3/4-10 (12 required)
8	63887-007	Repair Coupling - 1.5" long	21	55031-201	Hex Head Bolt 3/4-10 x 2 1/4 (4 required)
9	20551-000	Threaded Flange 1.5" (2 required)	22	11071-012	Gasket Circular - 8" (2 required)
10	03240-000	Gasket Elliptical 1.5" (2 required)	23	55254-021	Washer 3/4 (28 required)
11	-----	M120 Disc Series Ellip Long - Bypass Meter	24	58088-004	Seal Bolt (2 required)
12	22779-031	2" x 1.5" Bushing			

For Turbo Meter (item 2) Service Parts, see Repair Parts RTS-P-1.

For Disc Meter (item 11) Service Parts, see Repair Parts RD-P-5.

# Check Valve



Items 5 and 6 assemble to housing on opposite side of housing as pictured.

ITEM NO.	PART	8"
1	Knuckle Joint Assembly - (Complete Unit)	63892-003
2	Clapper Plate with attached Link	63892-006
3	Spring - 4", 6" (2 required), 8", 10" (3 required)	63892-008
5	Neoprene Washer (2 required)	63892-017
6	3/8" Stainless Steel Bolt (2 required)	55030-166
7	Bronze Seat (replaceable in line) (not pictured)	63892-011
8	Seat O-ring (not pictured)	63892-016
9	Gasket	63892-021
10	Check Removal Tool	63892-024
11	Vent Screw	65006-001
12	Nylon Washer	63892-018
13	Drain Plug	33879-005
14	Bolt	55026-204
15	Washer	55254-021
16	Nut	55001-062
17	Cover	63892-038
18	Clapper Retainer Clip (Wire Style)	63892-012
19	Clapper Retainer Clip (E-Ring)	63892-013



Please see our website at  
**[www.badgermeter.com](http://www.badgermeter.com)**  
for specific contacts.

Due to continuous research, product improvements and enhancements, Badger Meter reserves the right to change product or system specifications without notice, except to the extent an outstanding bid obligation exists.



**BadgerMeter, Inc.**

P.O. Box 245036, Milwaukee, WI 53224-9536  
(800) 876-3837 / Fax: (888) 371-5982

[www.badgermeter.com](http://www.badgermeter.com)