

DESCRIPTION

The SCV-95 Sanitary Research Control® Valves are compact control valves available in 2 inch and 3 inch sizes. They utilize Tri-Clover® angle bodies and provide larger line sizes and larger flow coefficients than are available from our other sanitary products.

APPLICATIONS

Valves of the SCV-95 type are well suited to automated control systems found in biotechnology, pharmaceutical and food processes. This series of valves is specifically designed to provide precise modulating control when compared to conventional sanitary control valves. The standard characteristic is an extended range linear which is optimized for blending systems.

- Pressure
- Temperature
- Product injection
- Flow control in fermentation reactors
- Control of gas blankets in closed vessels
- Catalyst, defoamer and additive initiation

MATERIALS OF CONSTRUCTION

Size	2 inch and 3 inch
Body - Bonnet	316 Stainless Steel Fabricated
Innervalue	316/316L Stainless Steel Barstock Trims Characteristics: Equal Percentage, Linear or Special
Clamps	304 or 316 Stainless Steel
Gaskets	Standard: Viton (FKM) Optional: Silicone, EPDM or Kalrez
“O” Rings	Standard: Viton (FKM) Optional: Silicone, EPDM or Kalrez
Actuator Housing	Standard: Epoxy Coated Aluminum Optional: 316/316L Stainless Steel



Image shown with optional stainless steel actuator

STANDARD FEATURES

- Manufactured to 3A Symbol standards
- Self-draining design
- Quick disassembly with clamps
- Choice of ends: butt-weld, Tri-Clamp®
- Designed for STEAM-IN-PLACE and CLEAN-IN-PLACE
- Internal Finish: 32 Ra

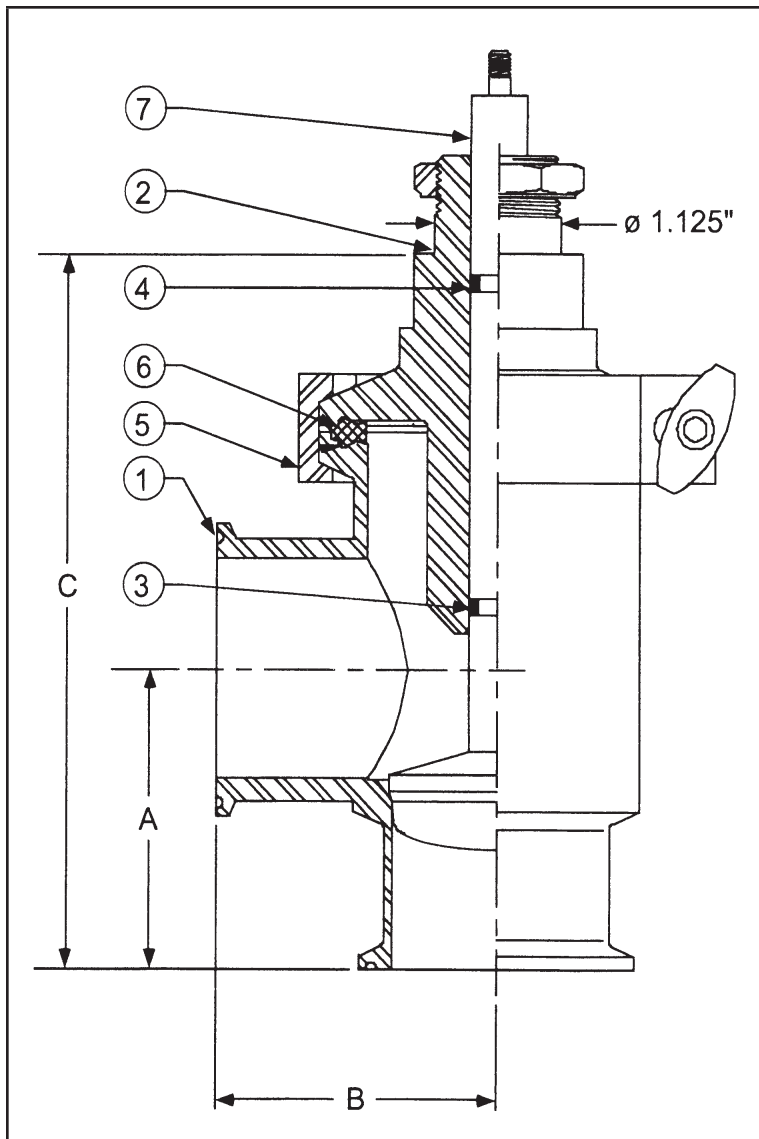
ACTUATOR CHOICES

Standard	Air-to-open, fail close Air-to-close, fail open
Optional	316 Stainless Steel Actuator
Optional	ATO or ATC with integral top mounted positioner
Optional	ATO or ATC with side mounted positioner
Signal Ranges	3-15#, 3-27#, 6-30# (3-9#, 9-15# with positioner)

Electronic Actuator We offer a wide choice of electric actuators up to 200 pounds of thrust.

OTHER AVAILABLE VALVES

Research Control Valves manufactures many different models of both standard and specialty control valves, conventional as well as sanitary designs. If your needs for small control valves can be served with a custom designed valve, please contact your area representative for assistance.



Description of Items

1. Body
2. Bonnet
3. "O" ring
4. Optional upper "O" ring
5. Bonnet clamp
6. Body-Bonnet gasket
7. Innervalve/stem

	2 inch SCV-95	3 inch SCV-95
CV (Full Port)	70	90
KV	60.34	77.58
CV (Reduced)	50	70
KV	43.10	60.34
Orifice Diameter	1.9	2.9
Orifice Area	2.8	6.6
A & B Dimension	2.5	3.25
C Dimension	6.0	7.3

AVAILABLE OPTIONS

- | | |
|-------------------------------------------|--------------------------------------------|
| <input type="checkbox"/> Manual Handwheel | <input type="checkbox"/> Certifications |
| <input type="checkbox"/> Filters | <input type="checkbox"/> Electric Actuator |
| <input type="checkbox"/> Positioners | <input type="checkbox"/> Limit Switches |
| <input type="checkbox"/> I/P Transducers | <input type="checkbox"/> Regulators |

Custom bracketing available with each option.

RCV is a registered trademark of Badger Meter, Inc.

Other trademarks appearing in this document are the property of their respective entities.

© 2011 Badger Meter, Inc. All rights reserved.

Due to continuous research, product improvements and enhancements, Badger Meter reserves the right to change product or system specifications without notice, except to the extent an outstanding contractual obligation exists.

Badger Meter | P.O. Box 245036, Milwaukee, Wisconsin 53224-9536
800-876-3837 | infocentral@badgermeter.com | www.badgermeter.com