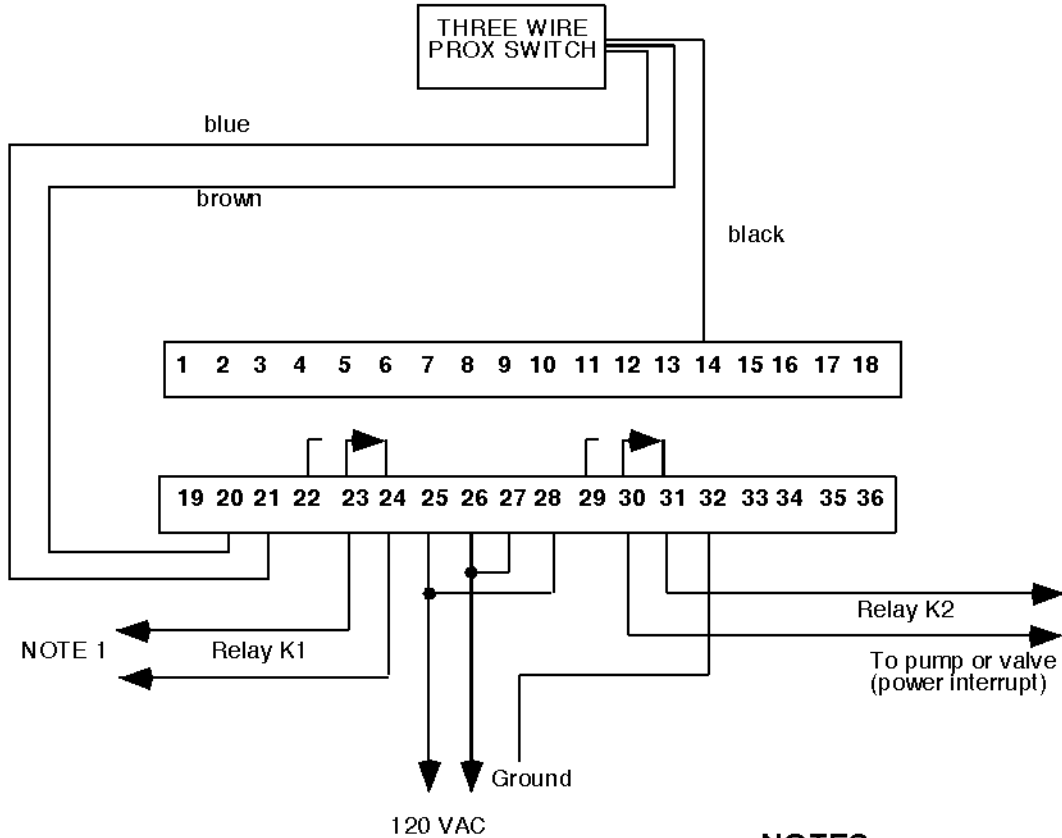


PROX SWITCH & PC-100 CONTROLLER

APPLICATION BRIEF

WIRING DIAGRAM



NOTE 1

Relay K1

Relay K2

To pump or valve
(power interrupt)

Ground

120 VAC

NOTES

1. Refer to page 6 of IOM-036 for connections to relay K1.
2. Use shielded cable for transmitter connections. Connect shield to terminal 32 only.



BadgerMeter, Inc.

P. O. Box 245036 Milwaukee, WI 53224-9536

Telephone: (414) 355-0400

Fax: (414) 355-7499