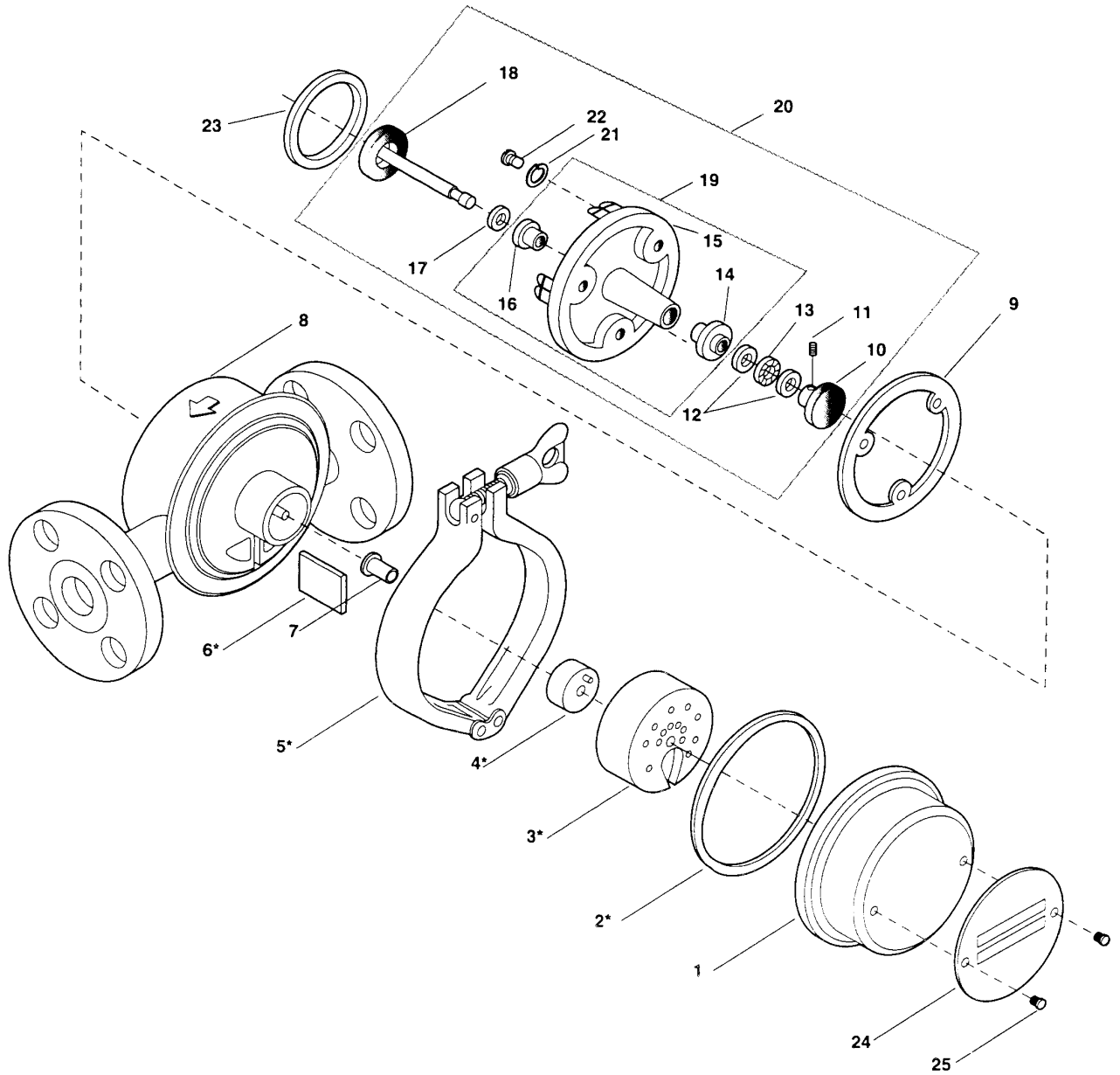


Model 1/2" OP
Chemical &
Sanitary

Industrial Oscillating Piston Meter

Repair
Parts



BadgerMeter, Inc.

IRP-009-14
Part No. 53401-009

3-09

Item No.	Description	Part Numbers	
		Chemical	Sanitary
1	Cover, 316 St. Steel	33138-000	33138-003
2	O-Ring, Ethylene Polypropylene (Blue Dot)	31132-013	31132-013
2	O-Ring, Buna N (Yellow Dot)	31132-014	31132-014
2	O-Ring, Viton A (White Dot)	31132-035	31132-035
2	O-Ring, Teflon	31132-049	31132-049
3	Piston, Kynar, 40°F - 150°F	33141-000	-----
3	Piston, Kynar, 150°F - 250°F	33141-001	-----
3	Piston, Ryton, 40°F - 150°F	57456-001	-----
3	Piston, Ryton, 150°F - 250°F	57456-002	-----
3	Piston, Ultem, 40°F - 250°F	63109-001	63109-001
4	Magnet and Carrier Assembly	57826-001	57826-002
5	Clamp	33149-000	33149-000
6	Partition Plate	33148-000	33148-001
7	Bushing, Rulon	33143-001	33143-001
7	Bushing, Rulon (Black) for abrasive applications.....	33143-002	-----
8	Housing, with 1/2" RFF, 316 St. Steel	33133-000	-----
8	Housing, with 1" RFF, 316 St. Steel	33133-002	-----
8	Housing, Sanitary w/Ferrules 316 St. Steel.....	-----	33133-008
8	Housing, 1/2" RFF, 316 SS, with Drop Pipe Hole	62729-001	-----
8	Housing, 1" RFF, 316 SS, with Drop Pipe Hole	62729-002	-----
8	Housing, Sanitary w/Ferrules 316 SS w/Drop Pipe Hole.....	-----	62729-005
9	Gasket, Housing to Adapter	33140-000	33140-000
10	Magnet Assembly	57830-001	57830-001
11	Setscrew, #4-40 x 1/8"	55230-111	55230-111
12	Ball Race	22581-000	22581-000
13	Bearing, Thrust	24836-000	24836-000
14	Bushing, Thrust	33190-000	33190-000
15	Adapter	33188-001	33188-001
16	Bushing	26950-000	26950-000
17	Washer	22562-017	22562-017
18	Magnet Assembly	57819-001	57819-001
19	Adapter and Bushing Assembly	33187-001	33187-001
20	Adapter Assembly	57820-001	57820-001
21	Lockwasher	55294-009	55294-009
22	Screw, Fill. Head, #10-32 x 3/8"	55058-220	55058-220
23	Tetraseal	22559-027	22559-027
24	Nameplate	23446-003	23446-003
25	Drive Screw	55154-057	55154-057



Please see our website at
www.badgermeter.com
for specific contacts.

Due to continuous research, product improvements and enhancements, Badger Meter reserves the right to change product or system specifications without notice, except to the extent an outstanding bid obligation exists.



BadgerMeter, Inc.

P.O. Box 245036, Milwaukee, WI 53224-9536
Telephone: (414) 355-0400 / (800) 456-5023
Fax: (414) 355-7499 / (866) 613-9305
www.badgermeter.com