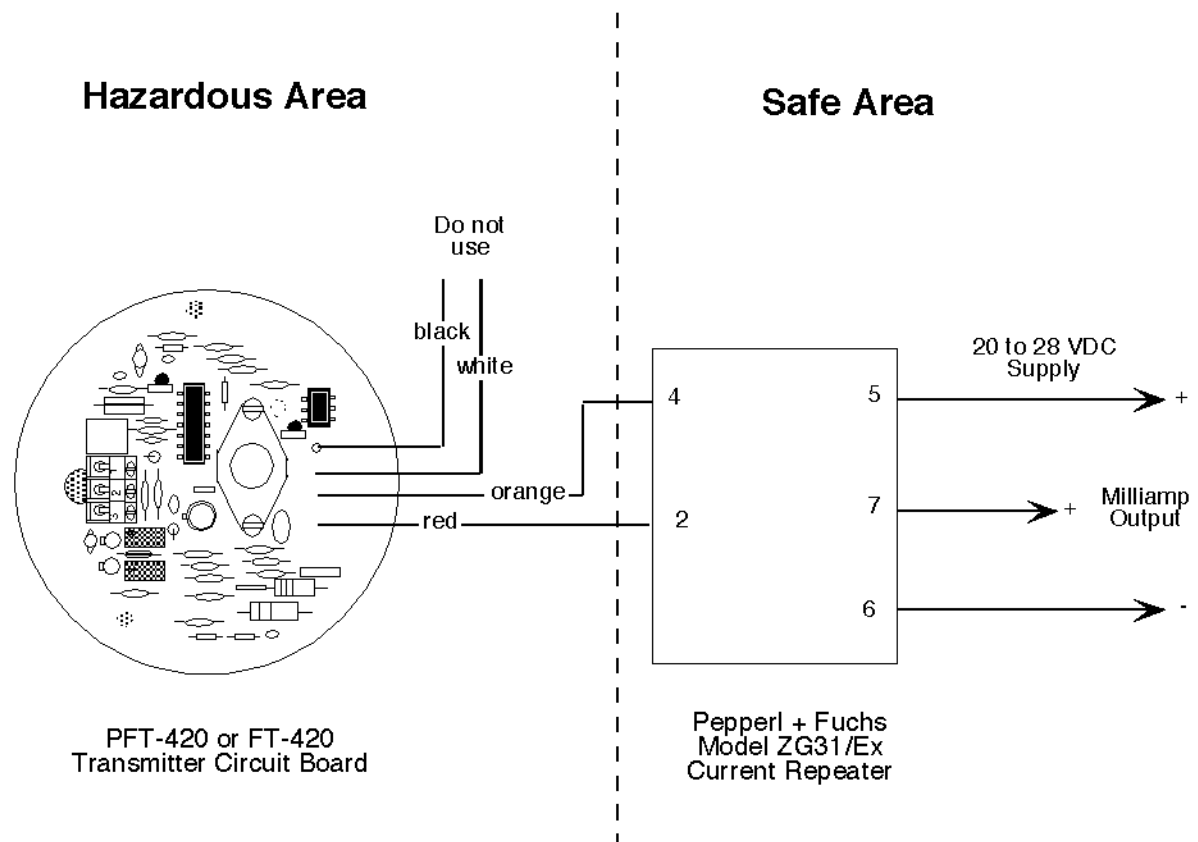


## 4-20 MA TRANSMITTER &amp; BARRIER

APPLICATION  
BRIEF

## WIRING DIAGRAM



This drawing should be regarded only as a guide for interconnection of electrical components. Local codes or practices may require additional functions to be performed in order to assure safety of installation and operation.



**BadgerMeter, Inc.**

P. O. Box 245036 Milwaukee, WI 53224-9536  
Telephone: (414) 355-0400  
Fax: (414) 355-7499