

GENERAL

The Model DP-10 Probe Amplifier has been designed to interface admix dispenser systems with automated concrete batch panels.

Enclosed in a NEMA-4X rated enclosure, the DP-10 provides a common terminal strip for wiring connections to both the dispenser and the control system. The amplifier is equipped with an indicator light as a troubleshooting aid. The amplifier plugs into a 11 pin relay base mounted on a circuit board. This allows for quick and easy field service and field replacement without any wiring changes.

APPLICATION

The DP-10 Probe Amplifier is set up to operate on single or dual zero probe admixture dispensers. It provides two sets of form "C" contacts for both zero and overfill. One set of form "C" contacts from zero and overfill are brought out to the terminal strip for user application. The remaining set of contacts for the overall are wired in such that the fill solenoid circuit is broken when admixture reaches the overfill probe. The remaining set for the zero are wired such that the discharge solenoid circuit is broken when the bottle is empty.

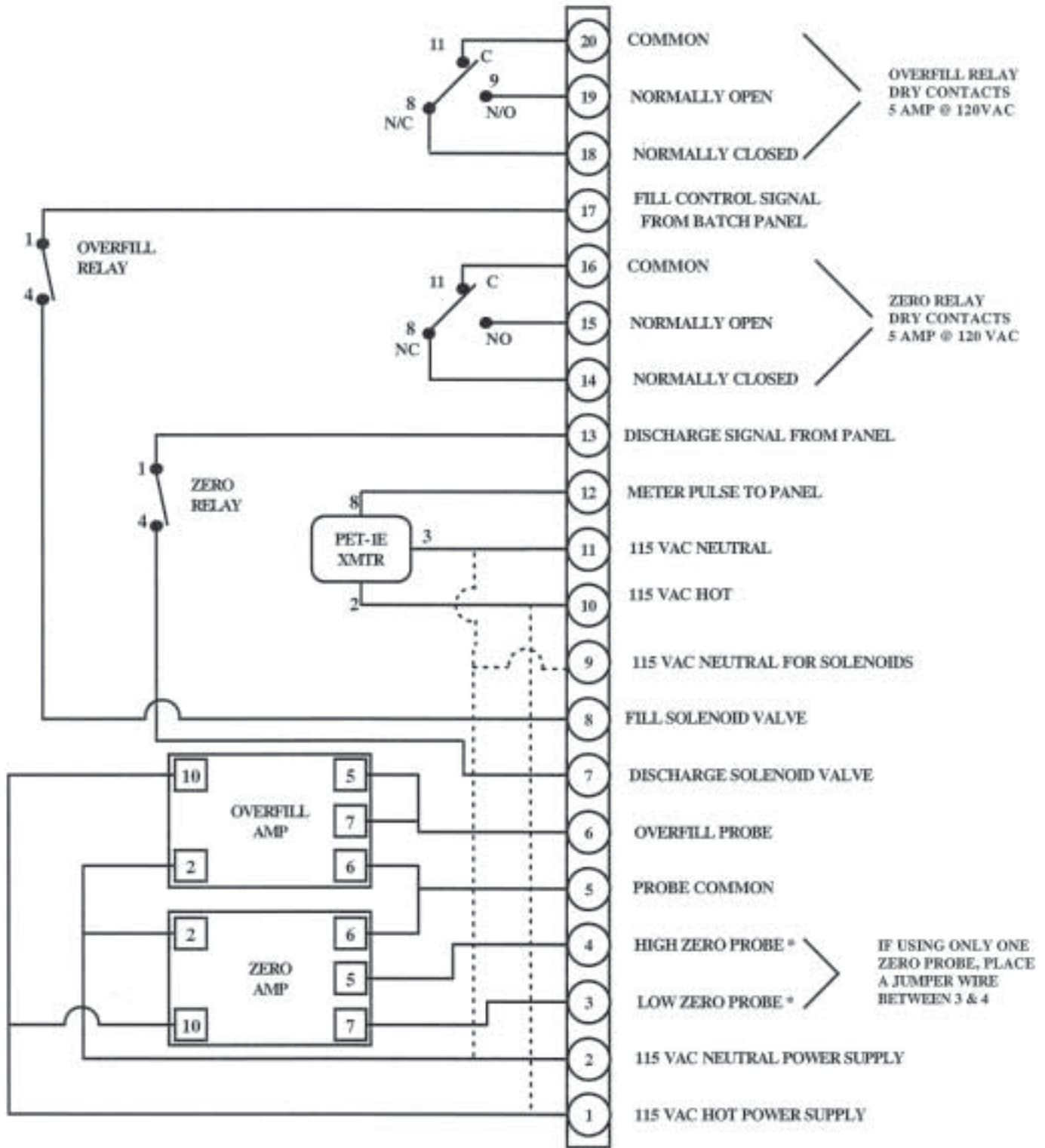
ELECTRICAL FEATURES

The DP-10 boards come as single unites (shown above), as well as two, three, and four unites, as standard. We can always customize the desired number of units the cutomer needs. The L1 terminals have been linked together by the tracings on the board, as well as the L2 terminals. This eliminates the need for jumper wires, to tie everything together.

**FEATURES**

- NEMA 4X enclosure
- Provides sensitivity adjustment for probes
- 5 amp @ 120VAC form "C" contacts for zero and overfill
- Provides LED indication when probes are covered
- Use with single or dual zero probe systems
- Plug in type amplifier allows for easy field service
- Available in multiple product units





Please see our website at
www.badgermeter.com
 for specific contacts.

Due to continuous research, product improvements and enhancements, Badger Meter reserves the right to change product or system specifications without notice, except to the extent an outstanding bid obligation exists.



BadgerMeter, Inc.

6116 East 15th Street, Tulsa, OK 74112
 Telephone: (800) 364-9876 / Fax: (918) 832-9962
www.badgermeter.com