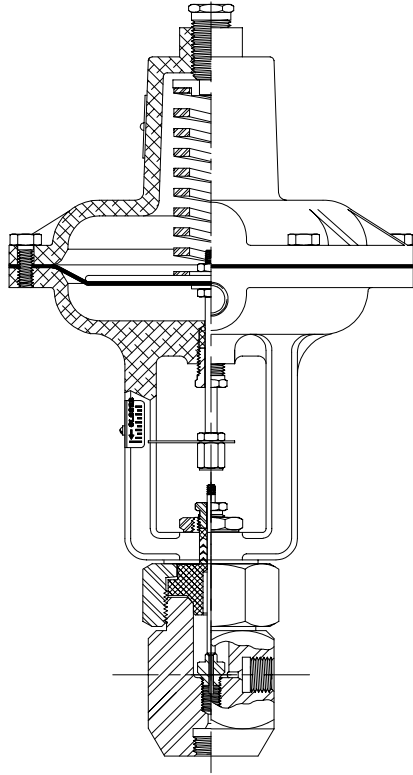
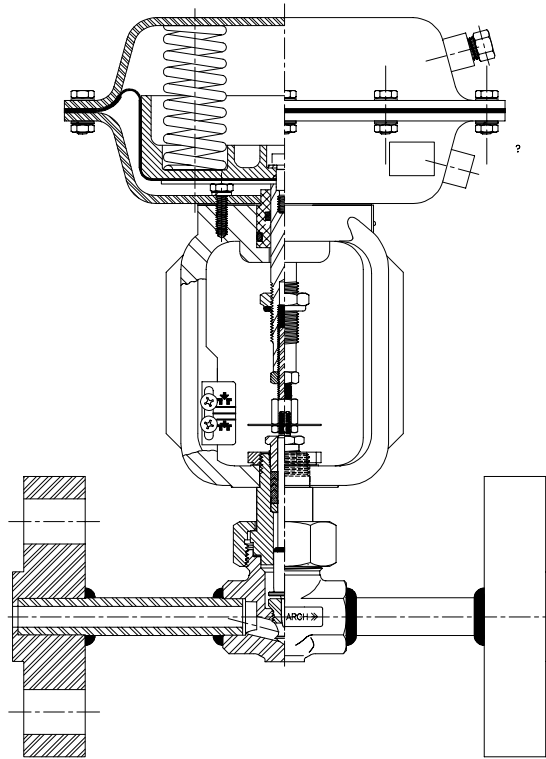


Research Control® Valves Can Take the Pressure



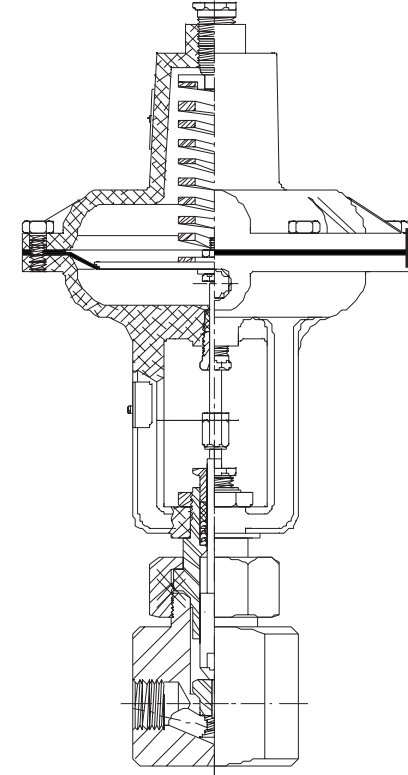
**Series 2945
Angle Union Bonnet**

Sizes: 1/4" and 1/2".
Pressures up to 10,000 psig.
Standard Material: 316SST
Optional Material: Monel, Hastelloy C
Standard end connection: AE or NPT
Optional: Butt weld, Socket weld, Flanged



**Series 1711
High Pressure Union Bonnet**

Sizes: 1/2", 3/4" and 1".
Pressures up to 7,500 psig (3/4"&1" 5000 psi.)
Standard Material: 316SST
Optional Material: Monel, Hastelloy C
Standard end connection: NPT
Optional: Butt weld, Socket weld, Flanged



**Series 5080
Globe Union Bonnet**

Sizes: 1/4" and 1/2".
Pressures up to 10,000 psig.
Standard Material: 316SST
Optional Material: Monel, Hastelloy C
Standard end connection: AE or NPT
Optional: Butt weld, Socket weld, Flanged

