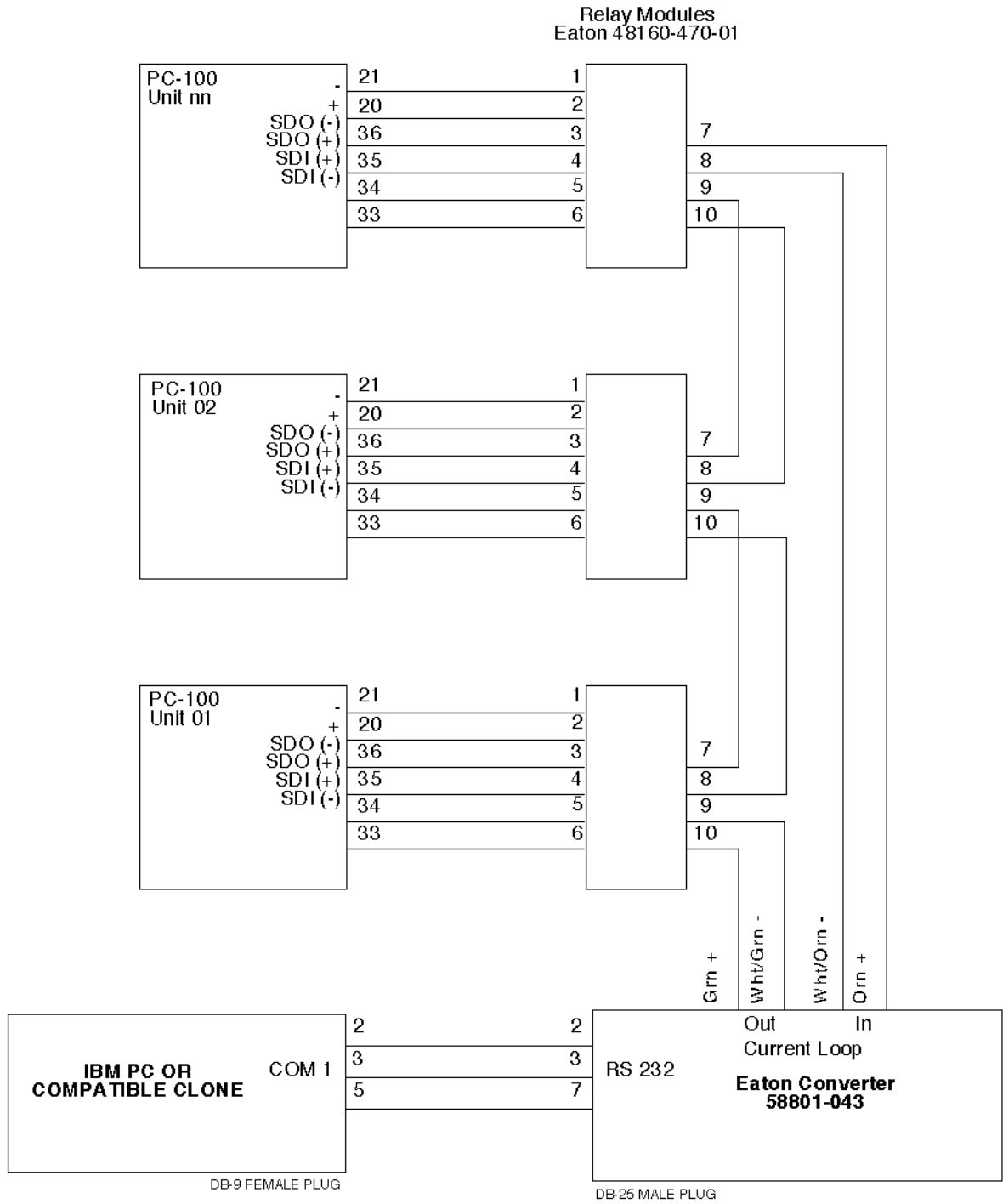


# PC-100 COMMUNICATIONS WITH RELAYS

## APPLICATION BRIEF

### WIRING DIAGRAM



**BadgerMeter, Inc.**

P. O. Box 245036 Milwaukee, WI 53224-9536  
 Telephone: (414) 355-0400  
 Fax: (414) 355-7499