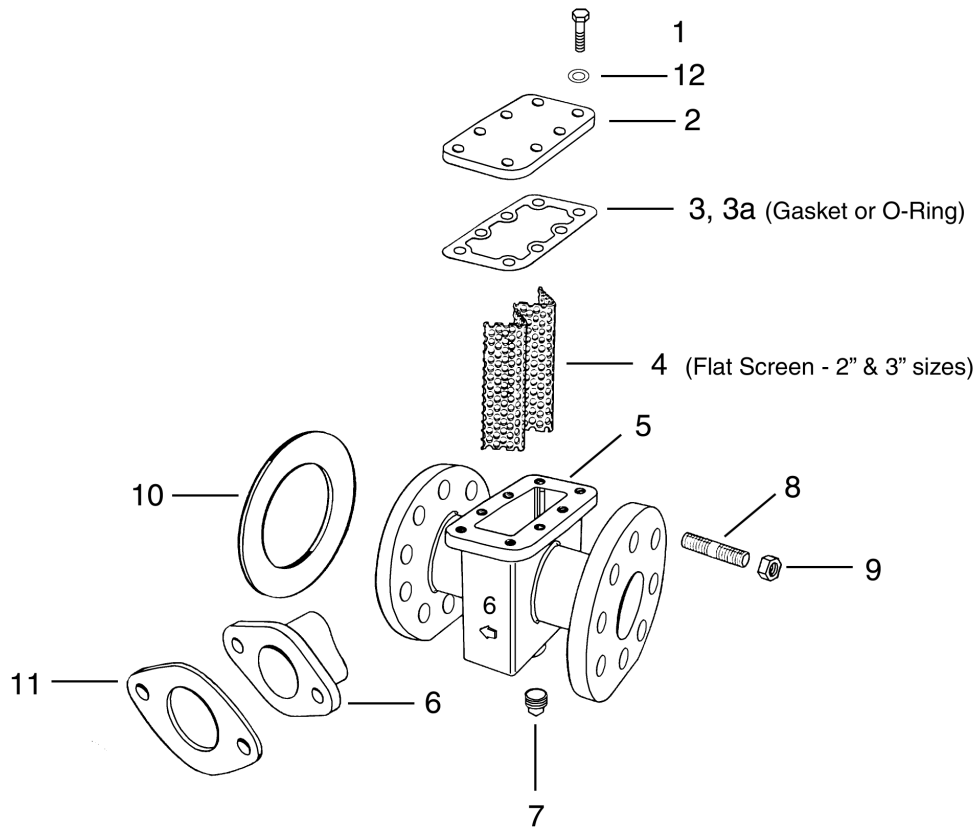




Badger Meter

Bronze Plate Strainers
Sizes 2", 3", 4" and 6"





ITEM #	PART NAME	PART NUMBER			
		2"	3"	4"	6"
1	Bolt, Housing, Hex. Head	55031-060	55031-062	55031-062	55031-062
2	Cover (81 Metal)	63233-001	63281-001	63281-001	66328-001
2	Cover (LL)	63233-003	63281-003	63281-003	66328-002
3	O-Ring	22650-050	22650-051	22650-051	64083-015
4	Screen Plate	63277-001	63283-002	63285-001	65580-001
5	Housing, Dual Flange, Round (81 Metal)	63295-001	64151-001	63320-001	66322-001
5	Housing, Dual Flange, Round (Low Lead)	63295-003	64151-005	63320-005	66322-002
6	Housing, Dual Flange, Elliptical (81 Metal)	63296-001	-----	-----	-----
6	Housing, Dual Flange, Elliptical (Low Lead)	63296-003	-----	-----	-----
7	Plug, Drain, (Low Lead)	-----	-----	-----	33879-015
7	Plug, Drain (Stainless Steel)	33879-013	33879-013	33879-013	-----
8	Studs	58586-001	58586-003	58586-002	58586-004
9	Nuts	55005-034	55005-034	55005-034	55007-035
10	Gasket, Flange, Round	11071-008	11071-009	11071-010	11071-011
11	Gasket, Flange, Elliptical	3241-000	-----	-----	-----
12	Washer	55262-015	55262-015	55262-015	-----

© 2011 Badger Meter, Inc. All rights reserved.



Due to continuous research, product improvements and enhancements, Badger Meter reserves the right to change product or system specifications without notice, except to the extent an outstanding contractual obligation exists.

Badger Meter | P.O. Box 245036, Milwaukee, Wisconsin 53224-9536
800-876-3837 | infocentral@badgermeter.com | www.badgermeter.com