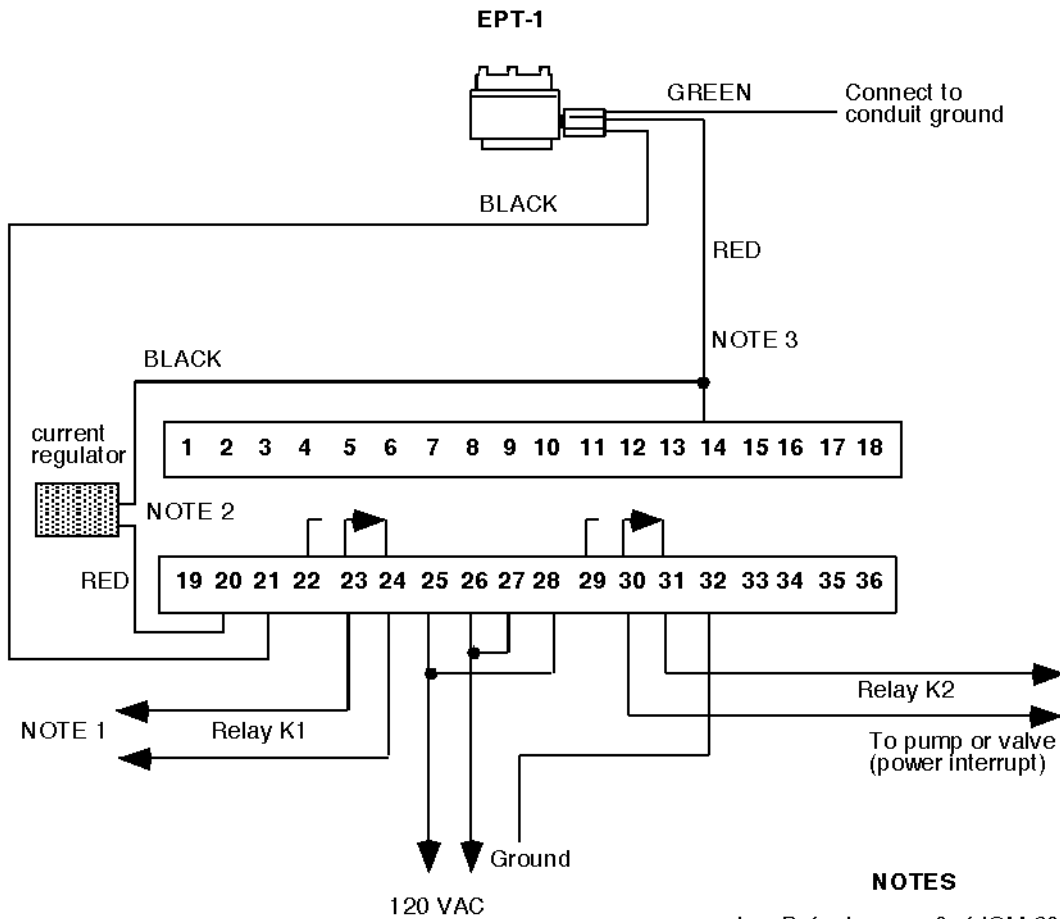


# EPT-1 & PC-100 CONTROLLER

## APPLICATION BRIEF

### WIRING DIAGRAM



#### NOTES

1. Refer to page 6 of IOM-036 for connections to K1
2. Current regulator is packaged with EPT-1 transmitter.
3. Use shielded cable for transmitter connections. Connect shield to terminal 32 only.



**BadgerMeter, Inc.**

P. O. Box 245036 Milwaukee, WI 53224-9536  
 Telephone: (414) 355-0400  
 Fax: (414) 355-7499