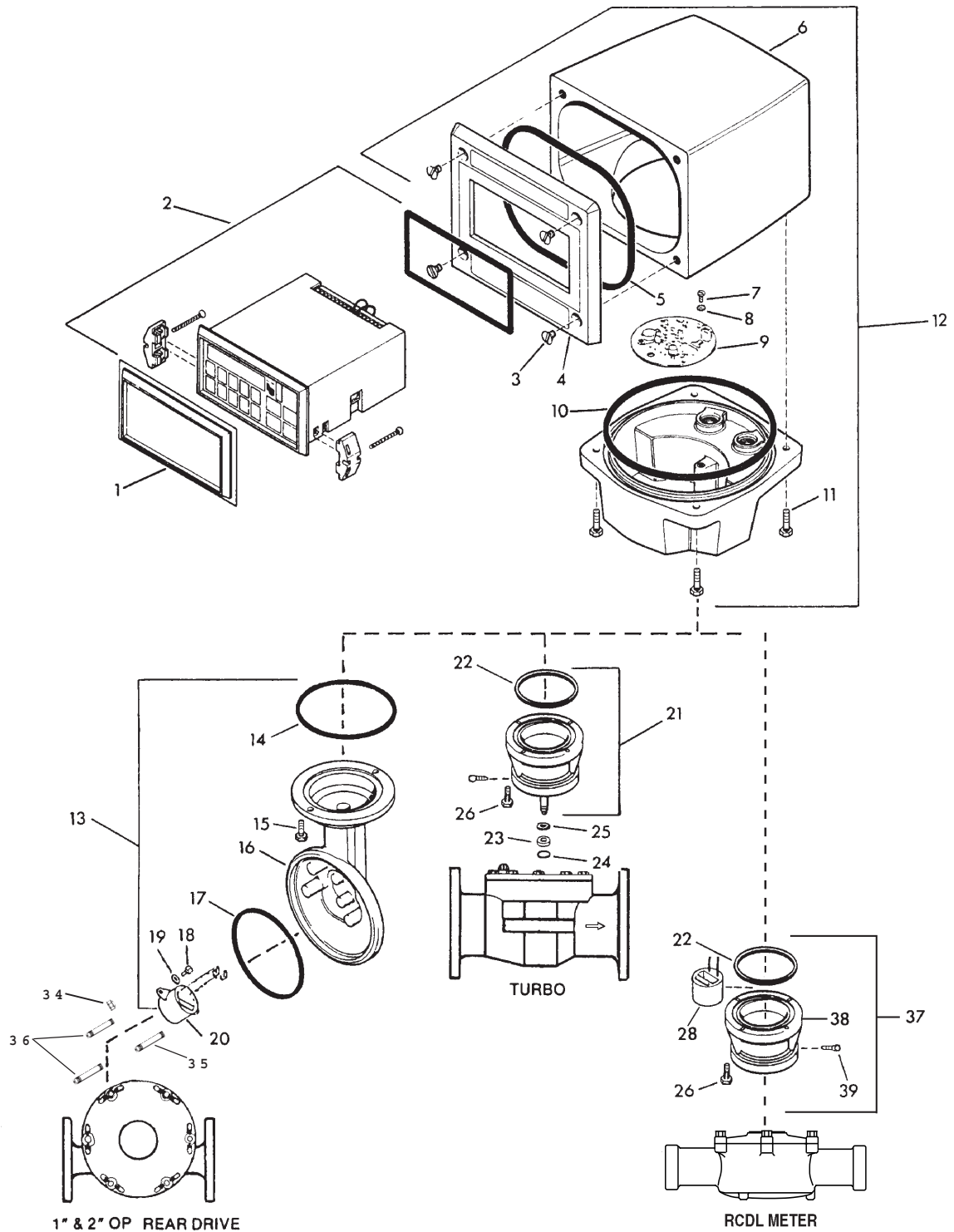


Model PC100 Meter Mount

Industrial Process Controller

Repair Parts



BadgerMeter, Inc.

IRP-034-12
Part No. 53401-034

3-09

ORDER INFORMATION: This repair parts bulletin shows an exploded view of the product with specific reference to those items available for replacement. The item number and part number may change at any time; therefore it is important when placing an order that a complete description of the part, meter size, model, and serial number be provided.

ITEM NO.	PART DESCRIPTION	PART NUMBER
1	Protective Cover , PC Controller (Optional)	58689-001
2	Process Controller , PC100	Note 1
3	Screw , 1/4-20 x 3/8", PC Bezel	55072-276
4	Bezel , PC Housing	58691-001
5	Tetraseal , PC Bezel to Housing	22559-042
6	Housing , PC Meter Mount	56564-001
7	Screw , 6-32 x 1/4"	55129-168
8	Lockwasher , External Tooth #6	55281-007
9	PC Board , FT 420 Assembly	64199-001
10	Tetraseal , Housing Base, PC Meter Mount	22559-016
11	Bolt , Hex. Head, 1/4-20 x 7/8"	55030-113
12	Enclosure Assy. , w/o 4-20 ma PC Board	58751-002
12	Enclosure Assy. , with 4-20 ma PC Board	58751-012
12	Enclosure Assy. , with 4-20 ma, PC Board Remote	58751-011
12	Enclosure Assy. , w/o 4-20 ma, PC Board Remote	58751-001
13	Adapter Assy. , Right Angle PC Meter Mount (Without 4-20 Board)	58954-001
14	Tetraseal , PC to Adapter	22559-034
15	Bolt , Hex. Head, 1/4-20 x 1/2"	55030-110
16	Adapter , Right Angle Machined	58712-001
17	Gasket , Adapter to Meter	33790-000
18	Screw , Fill. Head 8-32 x 1/4"	55089-114
19	Lockwasher , Internal Tooth #8	22562-004
20	Reed Switch Assembly , Pickup FT-1	62704-001
20	Electronic Sensor Assembly , for OP Meters FT-1E	62704-002
21	Reed Switch Adapter , Assembly, 2" and 3" Turbo (Note 2)	62946-001
21	Electronic Sensor , 2" and 3" Turbo	59672-001
21	Reed Switch Adapter , Assembly, 4" Turbo (Note 2)	62946-002
21	Electronic Sensor , Assembly, 4" Turbo	59672-002
21	Reed Switch Adapter , Assembly, 6" Turbo (Note 2)	62946-003
21	Electronic Sensor , Assembly, 6" Turbo	59672-003
22	Tetraseal , PC to Adapter	22559-034
23	Spacer , Register Base	57337-001
24	O-Ring , Register Base, Buna N	55300-110
24	O-Ring , Register Base, EPR	31132-046
24	O-Ring , Register Base, Viton A	31132-045
25	Retaining Ring (316 S.S.)	22886-012
26	Bolt , Hex. Head 1/4-20 x 1/2"	55030-110
28	Reed Switch Assembly , Pickup (Note 2)	62704-005
28	Electronic Sensor Assembly , for SC-ER or RC DL Meters	62927-001
31	Sealscrew , Bronze Adapter	22533-004
34	Acorn Nut (3 needed)	22085-000
35	Stud (1 needed)	24191-011
36	Studs (2 needed)	24191-014
37	Adapter , Reed Switch, Bronze Assembly (Note 2)	62737-002
37	Adapter , Electronic Sensor, Bronze Assembly	62737-001
38	Adapter Housing , Bronze	58091-002
39	Sealscrew , Bronze Adapter	32140-000

Note 1: Refer to Industrial Accessories Price List (IPL-205).

Note 2: These reed switch assemblies are used only when FT420 PC boards are included in the total meter mount assembly.



Please see our website at
www.badgermeter.com
 for specific contacts.

Due to continuous research, product improvements and enhancements, Badger Meter reserves the right to change product or system specifications without notice, except to the extent an outstanding contractual obligation exists.



BadgerMeter, Inc.

P.O. Box 245036, Milwaukee, WI 53224-9536
 Telephone: (414) 355-0400 / (800) 243-1010
 Fax: (414) 355-7499 / (866) 613-9305
www.badgermeter.com