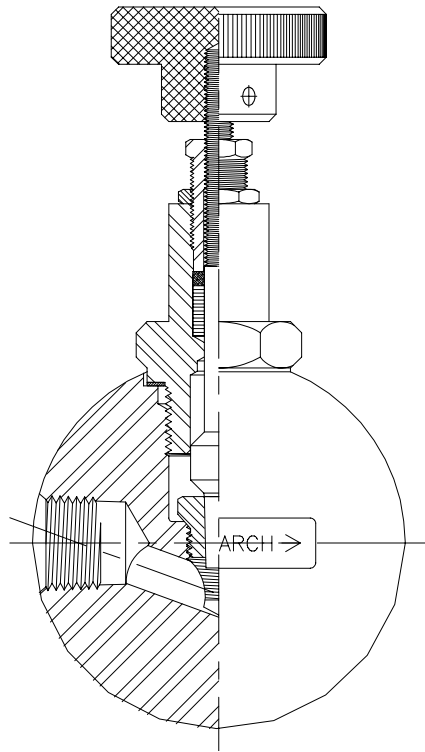
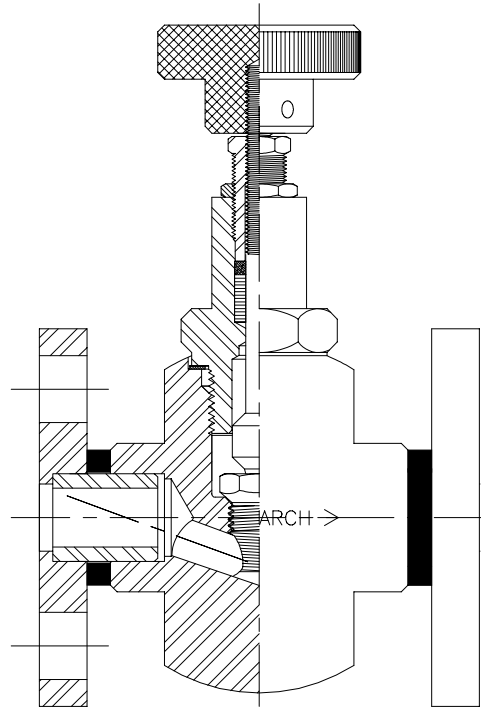


Research Control® Valves Can Take Manual Operation



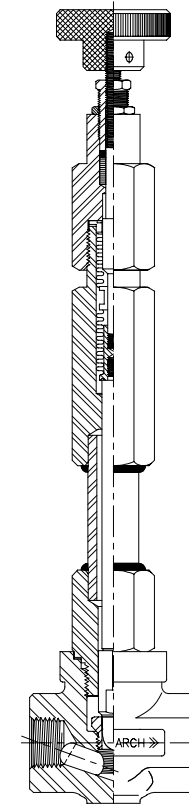
Barstock Body Exotic Materials

Sizes: 1/4", 1/2", 3/4" and 1".
 Ultra precise control, high rangeability
 Cv= 0.003 to 6.0
 Linear or Equal % (0.003 to 0.05 linear only)
 Hastelloys, Inconel, Monel, Titanium,
 Tantalum, Zirconium, Stainless Steel and
 others available.



Flanges Special End Connections

Sizes: 1/4", 1/2", 3/4" and 1".
 Ultra precise control, high rangeability
 Cv= 0.003 to 6.0
 Linear or Equal % (0.003 to 0.05 linear only)
 Butt weld, Socket weld, Flanged, tube fittings
 and others available.



Cast Body Special Bonnets

Sizes: 1/4", 1/2", 3/4" and 1".
 Ultra precise control, high rangeability
 Cv= 0.003 to 6.0
 Linear or Equal % (0.003 to 0.05 linear only)
 Barstock or cast bodies
 Bellow sealed
 Cryogenic extensions
 Cooling fins

