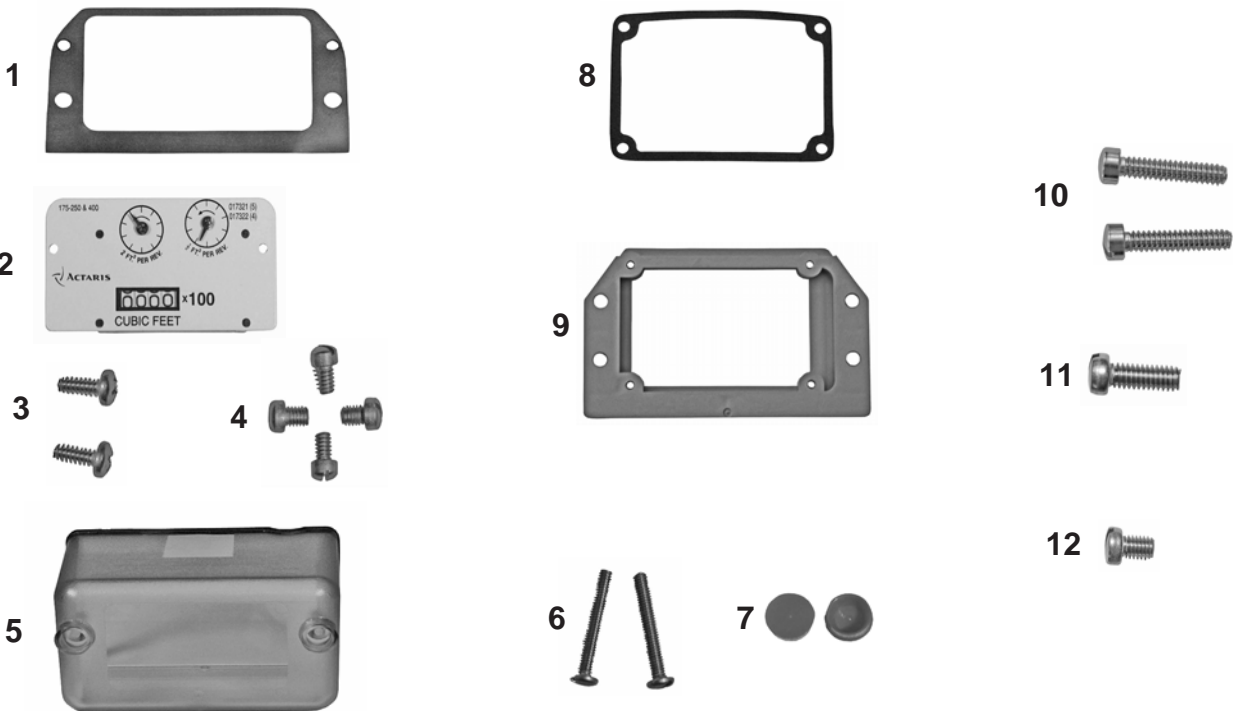


Badger® ORION®

ORION for Actaris® Residential
Gas Meter with Straight Faced Index

Repair
Parts



ITEM #	PART #	PART NAME
1	65882-001	Gasket
2	65883-001	Index, 4 digit, non TC [TC = 65883-002]
3	55094-169	Screw, pan head Phillips, 6-32, .3125"
4	55048-274	Screw, fillister head, slotted, 1/4-20, .375"
5	65876-001	Outer Cover
6	55090-206	Screw, 8-32, 1.25"
7	65855-001	Top Hat Security Seal
8	65737-001	Gasket for straight-faced adapter
9	66015-001	Adapter for straight-faced meter
10	55048-226	Screw, fillister head, slotted, 10-24, .875"
11	55048-224	Screw, fillister head, slotted, 10-24, .625"
12	55048-220	Screw, fillister head, slotted, 10-24, .375"

ORI-P-22

9-07

Badger® and ORION® are registered trademarks of Badger Meter, Inc.
Actaris® is a registered trademark of Actaris U.S. Gas, Inc.



Please see our website at
www.badgermeter.com
for specific contacts.

Due to continuous research, product improvements and enhancements, Badger Meter reserves the right to change product or system specifications without notice, except to the extent an outstanding contractual obligation exists.



BadgerMeter, Inc.

P.O. Box 245036, Milwaukee, WI 53224-9536
(800) 876-3837 / Fax: (888) 371-5982

www.badgermeter.com