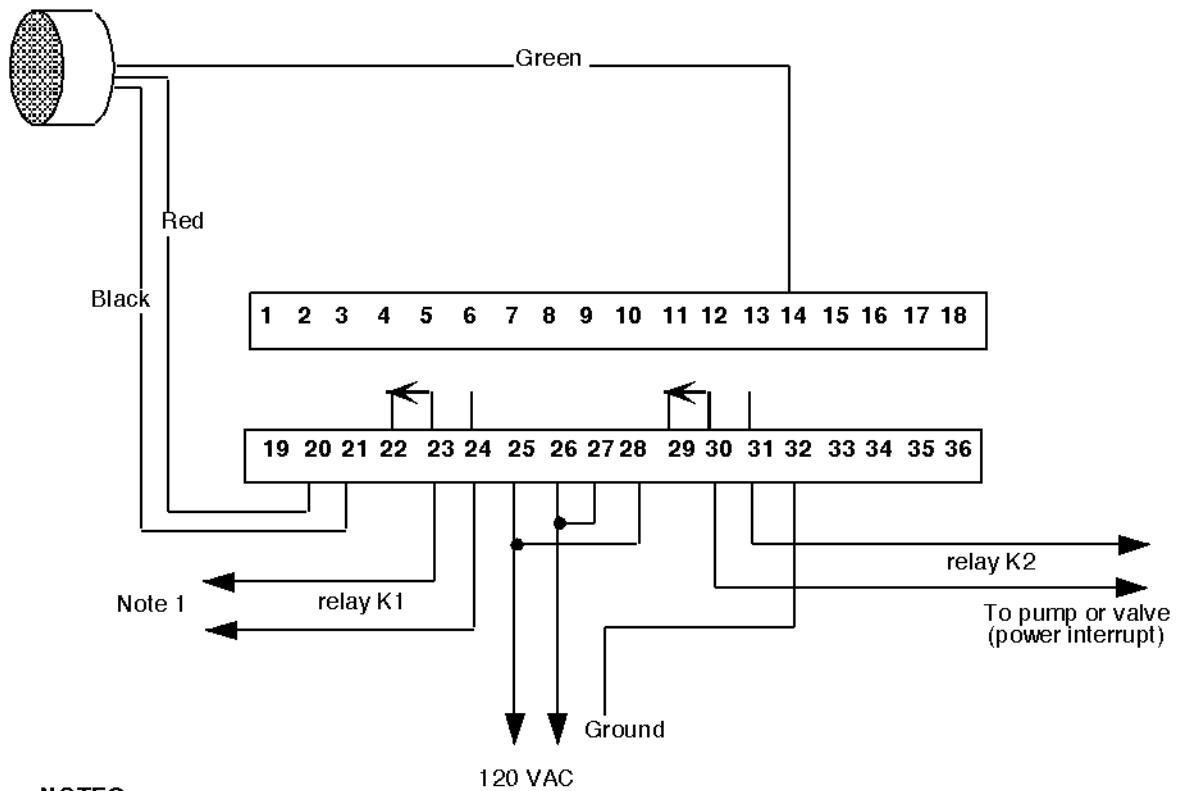


METER MOUNTED PC-100 WITH MAGNETO RESISTOR SENSOR

APPLICATION BRIEF

WIRING DIAGRAM

Pick-up element



NOTES

1. Refer to page 6 of IOM-036 for connections to K1.



BadgerMeter, Inc.

P. O. Box 245036 Milwaukee, WI 53224-9536

Telephone: (414) 355-0400

Fax: (414) 355-7499