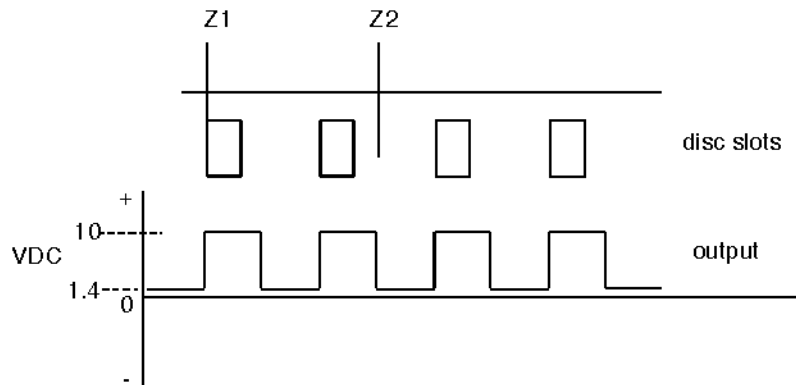
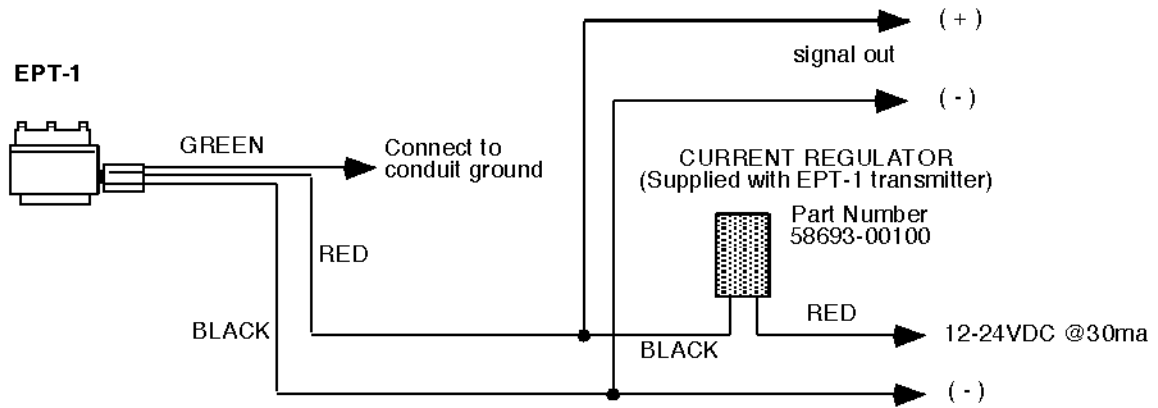


EPT-1 TRANSMITTER - PULSE OUTPUT

APPLICATION BRIEF

WIRING DIAGRAM



BadgerMeter, Inc.

P. O. Box 245036 Milwaukee, WI 53224-9536

Telephone: (414) 355-0400

Fax: (414) 355-7499