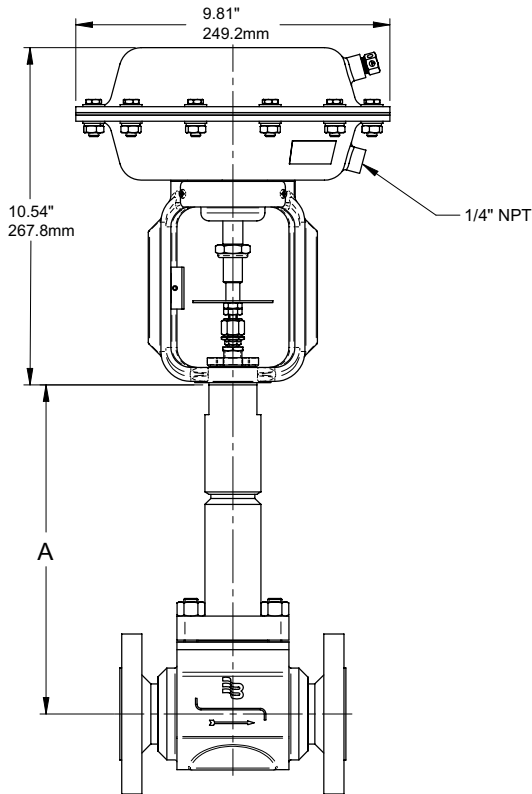


RESEARCH CONTROL® VALVES

Bellows Sealed Model 9000 Now Available.



Dimensions

Size	"A" (in.)	A" (mm)
1"	9.89	251.2
1-1/2"	10.15	257.8
2"	10.28	261.2

The **Model 9000** is now available with a bellows sealed bonnet option on all sizes. The price adder for all sizes is **\$1,200.**

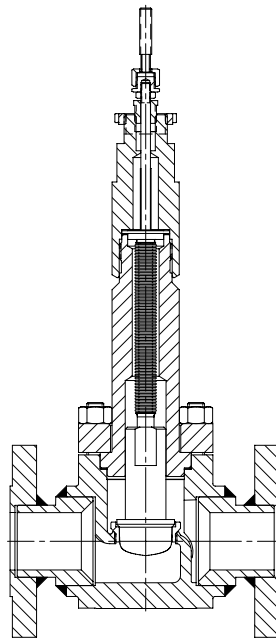
Standard Features:

Bellow Material: Hast-C276
 Long bellows cycle life
 Mass spectrometer tested bellows
 TFE chevron secondary packing
 High pressure rating up to class 300
 Effective area of bellows: 0.175 sq.in.

Optional Features:

Graphite or Kalrez secondary packing
 Alarm or purge ports
 Qualification for Category "M" service

NOTE: Please refer to the Model 9000 Technical Brief 941463 for more information.



Pressure vs. Temperature

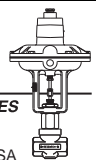
F	PSIG	C	BARG
100	720	38	49.7
200	620	93	42.8
300	560	149	38.6
400	515	204	35.5
500	480	260	33.1
600	450	316	31.0
700	430	371	29.7
800	415	427	28.6
900	395	482	27.2
1000	365	538	25.2

Valve Sales Department

Toll Free 800-364-9876
 Phone 918-836-8411
 Fax 918-832-9962
 Email rcv@badgermeter.com



Badger Meter, Inc.
 RESEARCH CONTROL® VALVES



P.O. Box 581390 • Tulsa, Oklahoma 74158 USA
 (800) 364-9876 • (918) 836-8411 • Fax: (918) 832-9962
rcv@badgermeter.com • www.badgermeter.com