

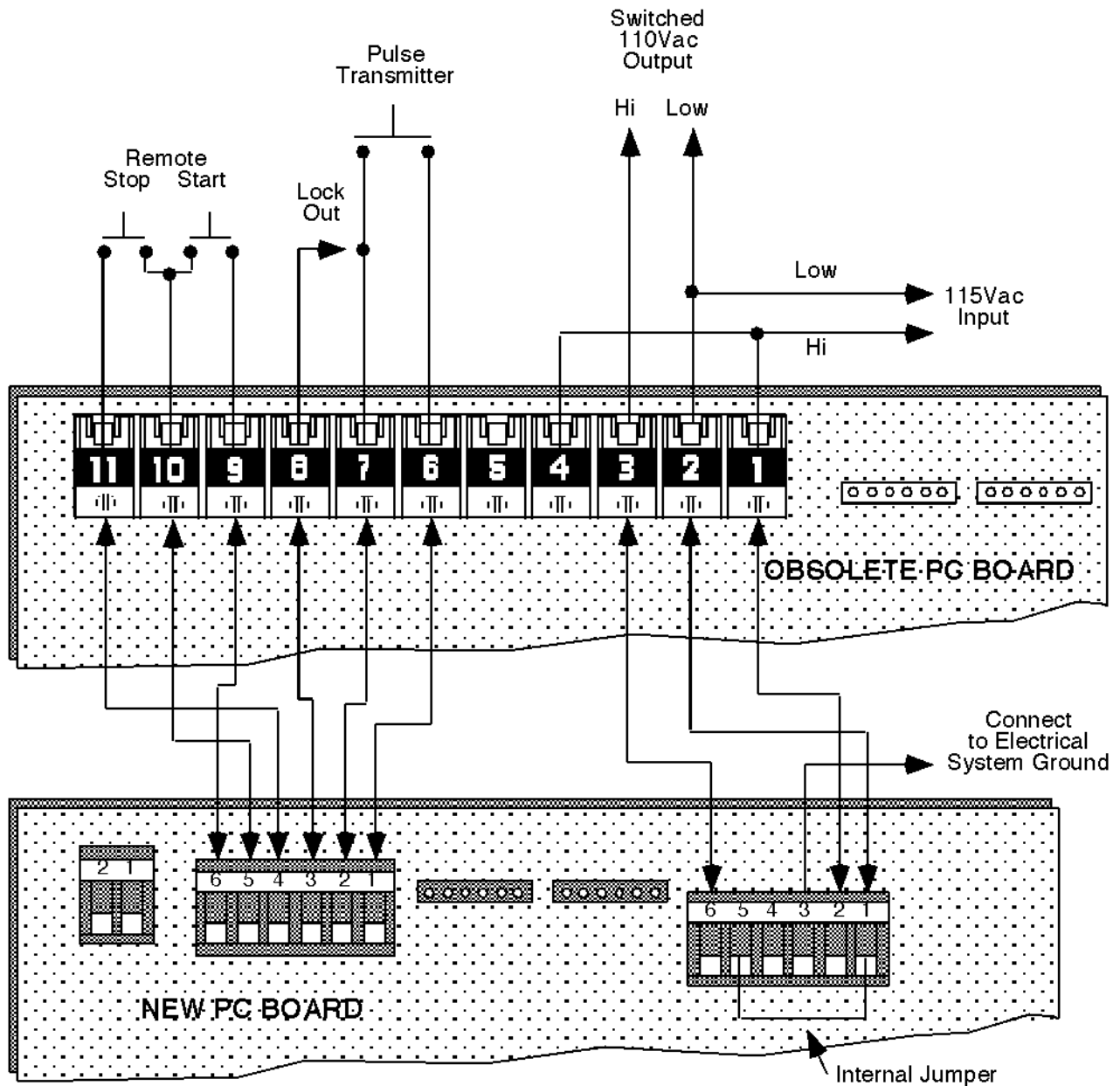
AR/e CONTROLLER

APPLICATION BRIEF

REPLACEMENT PC BOARD WIRING DIAGRAM

NOTE:

Refer to this wiring diagram for field wiring changes if you are replacing the older style printed circuit board with a new style board. Refer to IOM-034-04 for information pertaining to other significant differences between the old and new style boards.



BadgerMeter, Inc.

P. O. Box 245036 Milwaukee, WI 53224-9536
Telephone: (414) 355-0400
Fax: (414) 355-7499