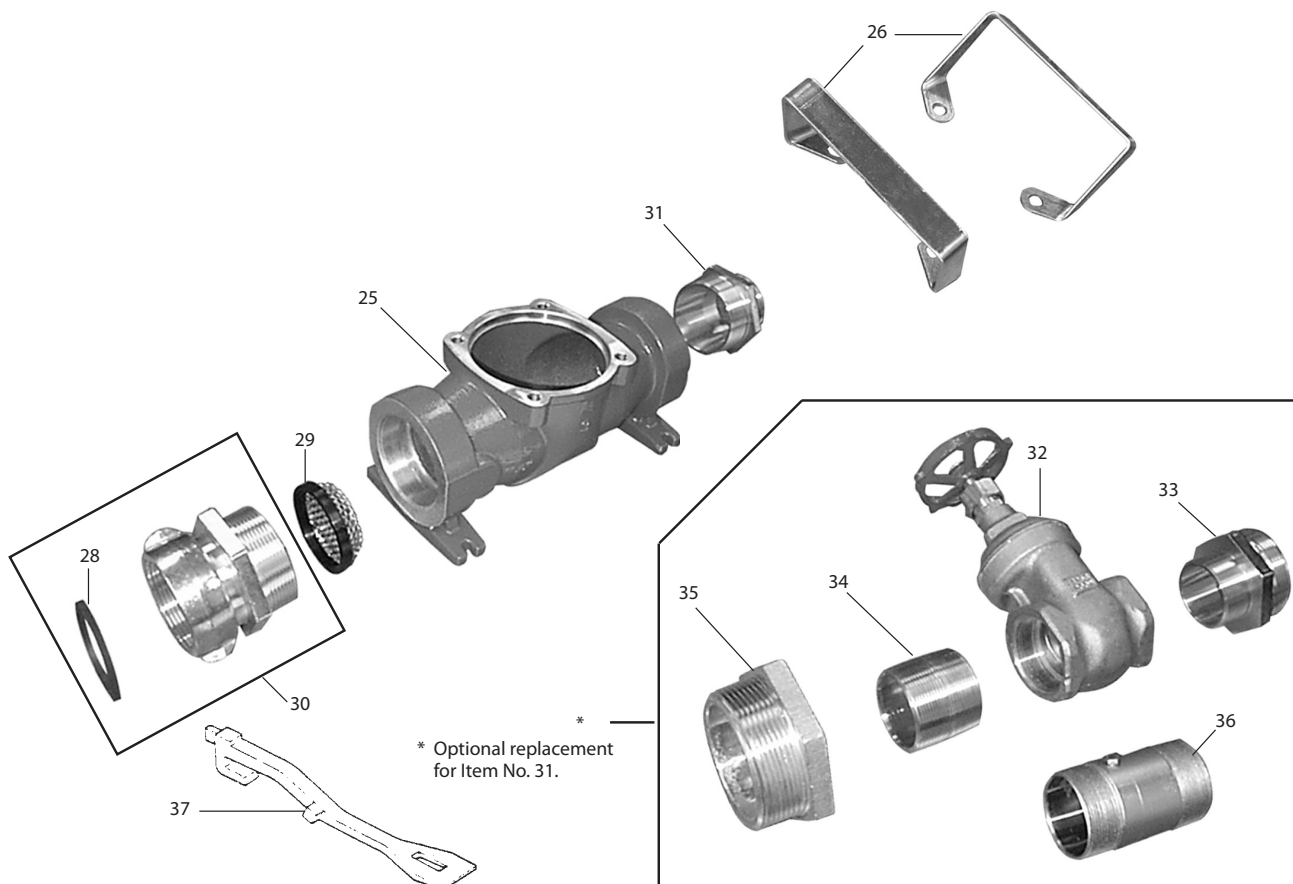
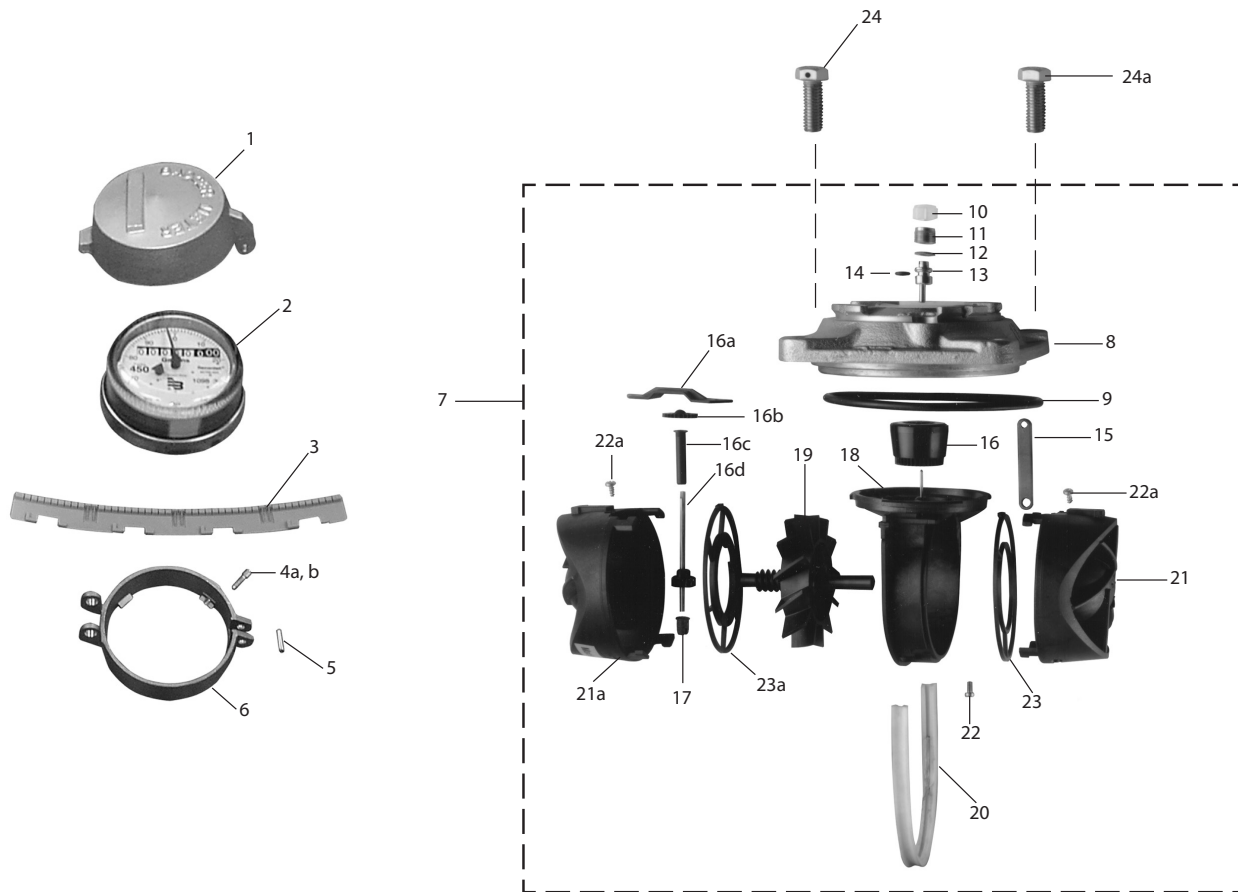




Badger Meter

Recordall® Turbo Series Fire Hydrant Meter
Size 3" (DN 80mm)





Item	Description	Part Number
1	Cover, Register, Bronze	58647-001
2	Register, 100 Gal. T.C.	64085-003
2	Register, 10 Cubic Ft. T.C.	64085-007
2	Register, 1 Cubic Meter T.C.	64085-011
3	Retainer, Flat	59542-001
4a	Seal Screw, 8-32 Reg. Case	62624-001
4b	Tamper Resistant TORX® Seal Screw	62516-002
5	Pin, Cover	59568-001
6	Base Ring w/Lock Hasp	59525-004
7	Measuring Element Assembly, Complete	63010-003
8	Cover Plate	66132-001
9	O-Ring, Head	62754-003
10	Seal Plug, Calibration Shaft	62793-001
11	Lock Screw, Calibration Shaft	62976-004
13	Calibration Shaft	62976-003
14	O-Ring, Calibration Shaft	62754-001
15	Calibration Linkage	62976-001
16	Magnet Carrier	62976-019
16a	Hold Down Strap	62976-013
16b	Transmission Shaft Gear	62976-023
16c	Transmission Shaft Protection Tube	62976-021
16d	Transmission Shaft Assembly	62976-011
17	Bearing, Lower Transmission	62976-002
18	Cage Insert, Measuring Element	62976-015
19	Rotor Assembly	62976-062
20	Cage Seal	62924-002
21	Straightening Vane & Nose Cone Assembly	62976-017
21a	Straightening Vane & Nose Cone Assembly	62976-017
22	Cage Setscrew (1 Required)	62976-005
22a	Cage/Nosecone Setscrews (2 Required)	62976-007
23	Calibration Ring (Front)	62976-024
23a	Calibration Ring (Rear)	62976-009
24	Head Bolt, w/Seal Hole (1 Required)	25421-034
24a	Head Bolt, w/o Seal Hole (3 Required)	55031-116
25	Housing	63047-001
26	Handle (2 Required)	63129-001
27	Cover Plate, Dummy (Not Illustrated)	63194-001
28	Gasket, Swivel Coupling	59677-001
29	Screen	63131-001
30	Connection Assembly, Swivel, 2 1/2 - 7 1/2 NH (Other Thread Forms Available Upon Request)	63180-001
31	Nipple Reducer, 2 1/2 - 7 1/2 NH (Other Thread Forms Available Upon Request)	25724-000
32	Valve, Gate 2" (Bronze)	26506-000
32	Valve, Gate 2 1/2"	26506-017
33	Fire Hose Reducer, 2" x 2 1/2" - 7 1/2" NH (for use with 2" gate valve)	26505-000
33	Fire Hose Reducer, (for use with 2 1/2" gate valve)	63000-001
34	Nipple, Brass, 2 N.P.T. x 2 Long (for use with 2" gate valve)	14711-138
34	Nipple, Brass, (for use with 2 1/2" gate valve)	14711-161
35	Pipe Bushing Hex 3x2 (for use with 2" gate valve)	22779-027
35	Pipe Bushing Hex (for use with 2 1/2" gate valve)	22779-032

Recordall® is a registered trademark of Badger Meter, Inc.

Other trademarks appearing in this document are the property of their respective entities.

© 2011 Badger Meter, Inc. All rights reserved.



Due to continuous research, product improvements and enhancements, Badger Meter reserves the right to change product or system specifications without notice, except to the extent an outstanding contractual obligation exists.

Badger Meter | P.O. Box 245036, Milwaukee, Wisconsin 53224-9536
800-876-3837 | infocentral@badgermeter.com | www.badgermeter.com