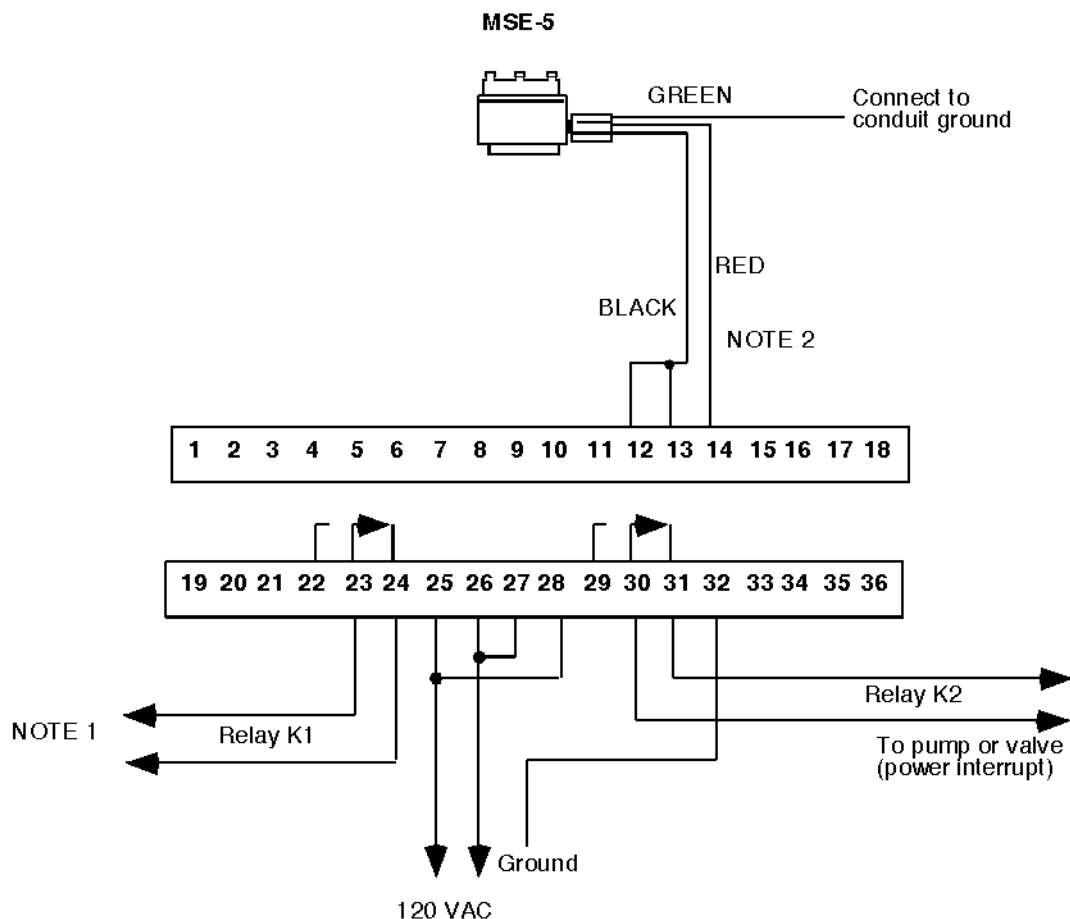


MSE-5 XMTR & PC-100 CONTROLLER

APPLICATION BRIEF

WIRING DIAGRAM



NOTES

1. Refer to page 6 of IOM-036 for connections to K1.
2. Use shielded cable for transmitter connections. Connect shield to terminal 32 only.



BadgerMeter, Inc.

P. O. Box 245036 Milwaukee, WI 53224-9536

Telephone: (414) 355-0400

Fax: (414) 355-7499