

GENERAL

The second generation Badger® Electronic Preset Meter is designed specifically to meter and dispense bulk fluids for servicing automobiles, trucks, buses, construction equipment, and similar applications. The meter is lightweight, rugged and has a comfortable grip. The meter is designed specifically to dispense motor oils (S.A.E. 5-50), gear oils (S.A.E. 80-240), automatic transmission fluid, antifreeze (Ethylene Glycol) solution, and hydraulic fluid.

A superior rugged, shock-resistant design for demanding environments.

The unit is programmed to dispense in quarts, liters, pints, and gallons. You can program any batch size in a matter of seconds. A 5-digit liquid crystal display, accurate to the second decimal point, shows the exact amount of fluid dispensed.

Badger's EPM meter uses 4 replaceable AA batteries and is calibrated at the factory. The meter can also be recalibrated easily in the field for a fluid of different viscosity.

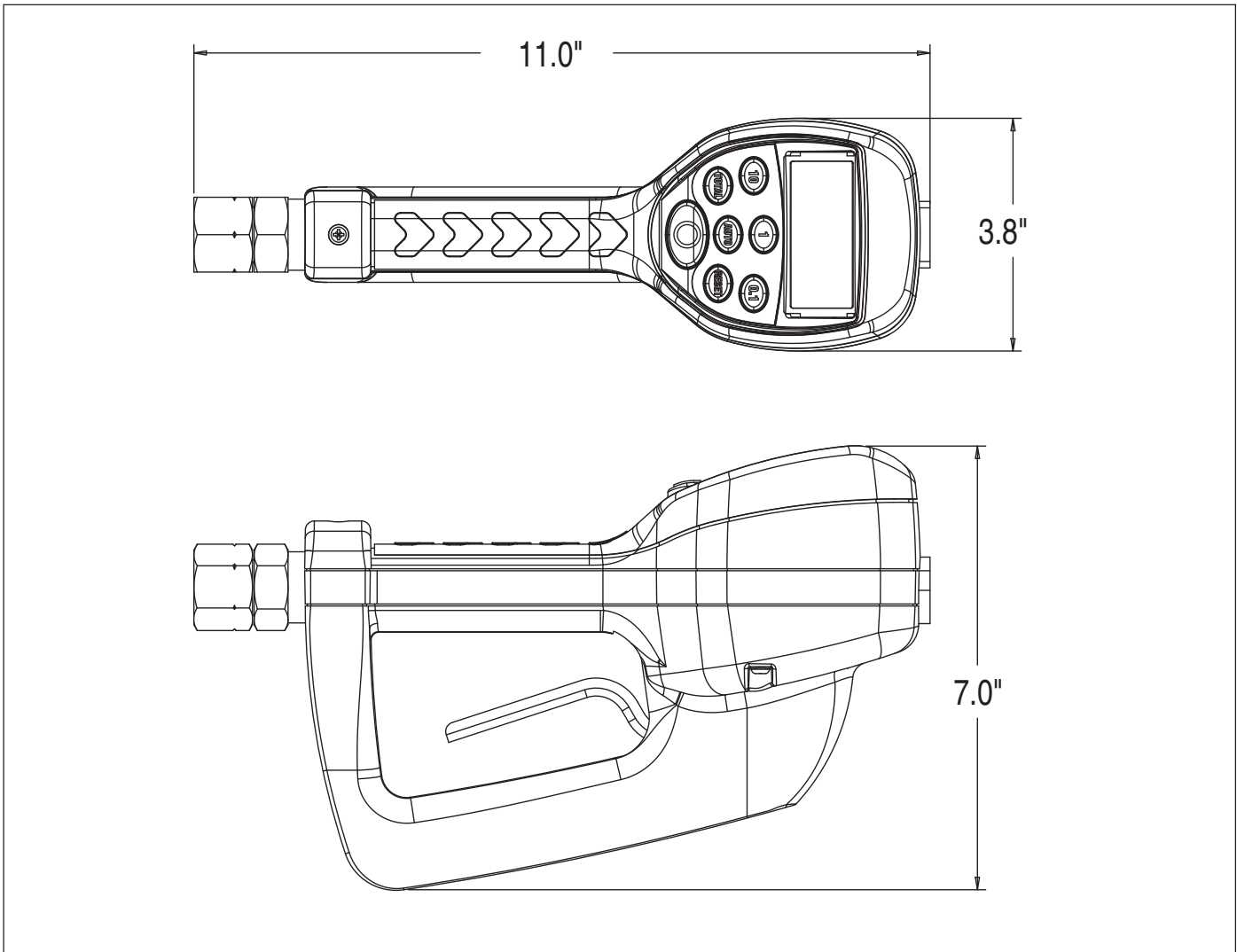
Electronic accuracy will help you save time and money. The preset feature will allow users to perform other service tasks while fluid is dispensed.

- Fleet Maintenance Shops
 - Industrial Assembly
 - Quick Lube Facilities
 - Dealerships
 - Construction and Mining Equipment
 - General Automotive Service Centers
 - Specialty Service and Repair Shops
-
- Oval Gear Driven Meter
 - Durable
 - Lightweight
 - Large, Easy-to-Read LCD Display
 - Ease of Operation
-
- Totalization in Liters and Gallons
 - Dispensing Measurement in Liters, Quarts, Pints, Gallons



- Max. Totalizer Number: 99,999 Gallons or Liters
 - Max. Dispense Volume: 99,999 Units
 - Max. Preset Volume: 99.9 Units
-
- Calibration Factor for Different Fluids
 - Changeable Units of Measure
 - One Programmable Preset
 - Total and Resettable Total
-
- Minimum 20,000 Cycles on Battery Life
 - Low Battery Indicator
 - Low Battery Safety Lock Out Feature
 - Ability to Save Settings if Power Interrupted
 - Uses Standard AA Batteries
-
- In-Line Swivel Standard With All Meters
 - Engraving and/or Labels Available
 - Automatic Shut-Off at Preset Amount
 - Emergency Electrical Shut Off
 - Precision Control Valve Operation





SPECIFICATIONS

	English	Metric
Maximum Flow *	10 gpm	38 lpm
Minimum Flow *	0.25 gpm	1 lpm
Operating Pressure (Maximum)	1000 psi	67 bar
Operating Pressure (Minimum)	5 psi	.35 bar
Operating Temperature (Maximum)	120° F	50° C
Operating Temperature (Minimum)	20° F	- 5° C
Accuracy Oils	+/- 0.5%	+/- 0.5%
Accuracy Antifreeze	+/- 1.5%	+/- 1.5%
5-Digit LCD Display	Quarts, Pints, Gallons	Liters
Inlet and Outlet Connections	½" NPT	½" BSPP

Min.-Max. flow range will vary with fluid viscosity.

Badger® is a registered trademark of Badger Meter, Inc.



Please see our website at
www.badgermeter.com
 for specific contacts.

Due to continuous research, product improvements and enhancements, Badger Meter reserves the right to change product or system specifications without notice, except to the extent an outstanding contractual obligation exists.



BadgerMeter, Inc.

P.O. Box 245036, Milwaukee, WI 53224-9536
 Telephone: (414) 355-0400 / (800) 456-5023
 Fax: (414) 355-7499 / (866) 613-9305
www.badgermeter.com