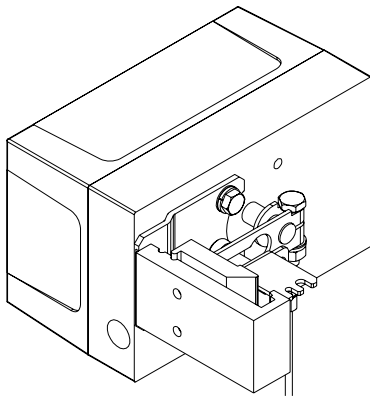


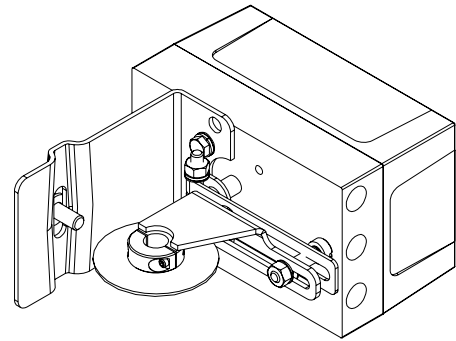
PMV D3,P3,EP3 Positioner Mounting Kits

Valve	Sizes	Part Number	Item Description	Action	Mounting Instructions
Research	All*	544707-0001	KIT PMV P3/D3 1/4 & 1/2 ATO	ATO	Drawing 941549
Research	All	544707-0002	KIT PMV P3/D3 1/4 & 1/2 ATC	ATC	Drawing 941549
Model 9000	All	544760-0001	KIT PMV P3 ATO9050; D3 ATO/ATC	ATO & ATC	Drawing 941564
Model 9100	All	Consult Factory	KIT PMV P3;D3 9100 ATO/ATC	ATO & ATC	Drawing 941564

* NOTE: D3E not available on 1/4" ATO Actuators



RESEARCH® Mounting

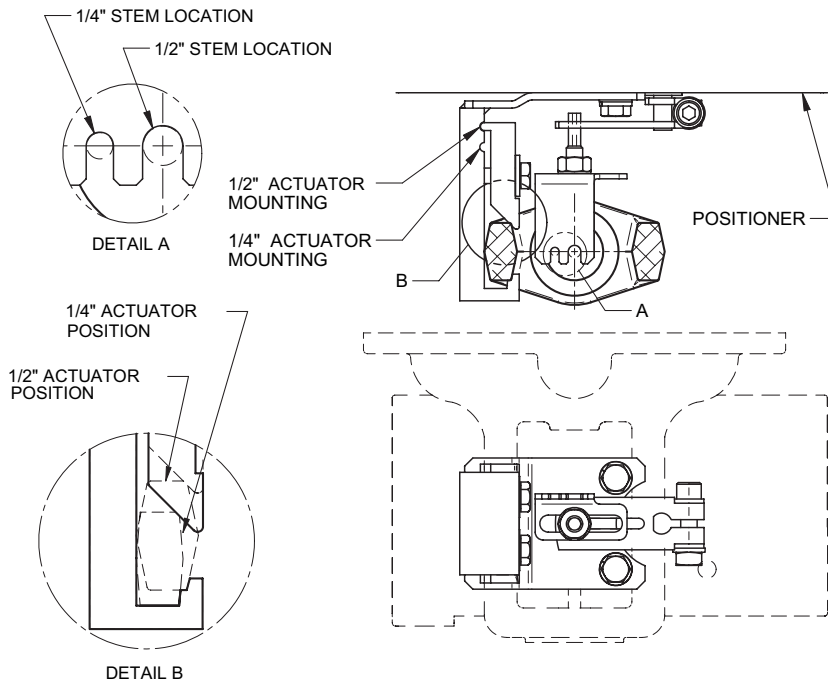


Model 9000/9100
Mounting

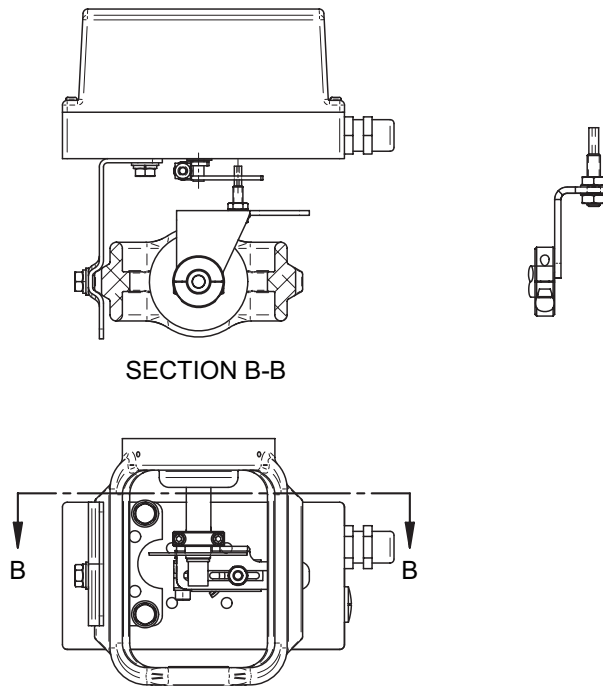


Shown on 1/2" Type 754 Actuator

RESEARCH® Mounting



Model 9000/9100 Mounting



RESEARCH® and RESEARCH CONTROL® are registered trademarks of Badger Meter, Inc.

Please see our website at
www.badgermeter.com
for specific contacts.

Due to continuous research, product improvements and enhancements, Badger Meter reserves the right to change product or system specifications without notice, except to the extent an outstanding contractual obligation exists.



BadgerMeter, Inc.

6116 E. 15th Street, Tulsa, Oklahoma 74112
(918) 836-8411 / Fax: (918) 832-9962

www.badgermeter.com