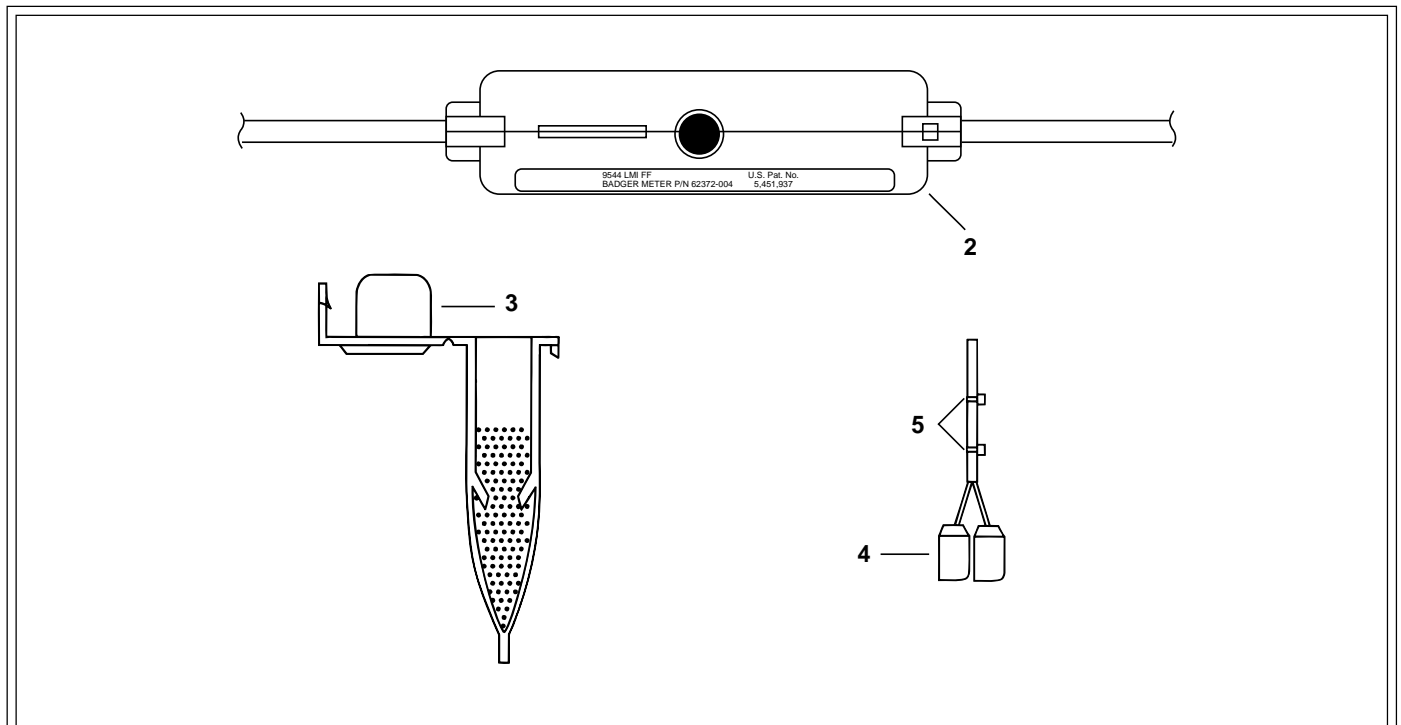


<b>Model LMI</b>	<b>Large Meter Interface</b>	<b>Repair Parts</b>
------------------	------------------------------	-------------------------



ITEM	PART#	PART NAME
1	62393-002	LMI w/Install Kit Complete - Badger Compound FF
1	62393-001	LMI w/Install Kit Complete - Badger Compound Remote Basic, PREMIER™, TRACE® and DIALOG®
1	62393-004	LMI w/Install Kit Complete - Competitive FF
1	62393-003	LMI w/Install Kit Complete - Competitive Remote Basic, PREMIER, TRACE and DIALOG
2	62372-002	LMI - Badger Compound FF Only
2	62372-001	LMI - Badger Compound Remote Basic, PREMIER, TRACE and DIALOG
2	62372-004	LMI - Competitive FF Only
2	62372-003	LMI - Competitive Remote Basic, PREMIER, TRACE and DIALOG
3	62085-001	Splice Enclosure
4	59761-001	Gel-Splice
5	60238-001	Cable Tie - Strain Relief
6	60238-006	Cable Tie - Strain Relief to Pipe

TRACE® is a registered trademark of American Meter Company.  
PREMIER™ is a trademark of Badger Meter, Inc.  
DIALOG® is a registered trademark of Master Meter, Inc.

**LMI-P-25**

10-03



Please see our website at  
[www.badgermeter.com](http://www.badgermeter.com)  
for specific contacts.

Due to continuous research, product improvements and enhancements, Badger Meter reserves the right to change product or system specifications without notice, except to the extent an outstanding bid obligation exists.



**BadgerMeter, Inc.**

P.O. Box 245036, Milwaukee, WI 53224-9536

(800) 876-3837 / Fax: (888) 371-5982

[www.badgermeter.com](http://www.badgermeter.com)