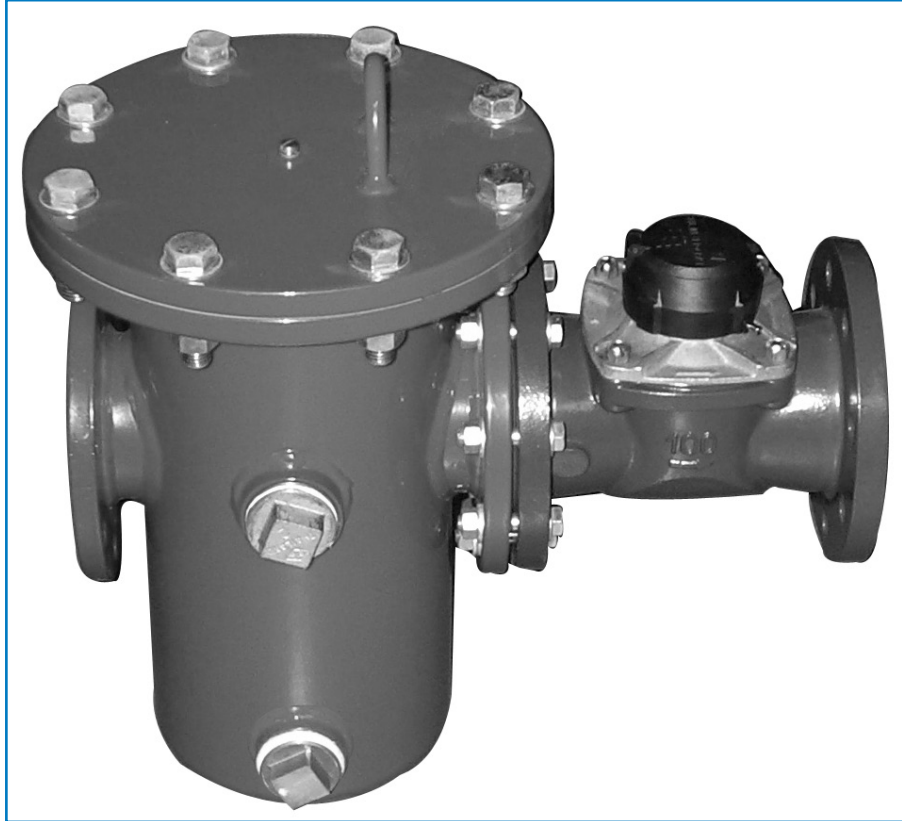


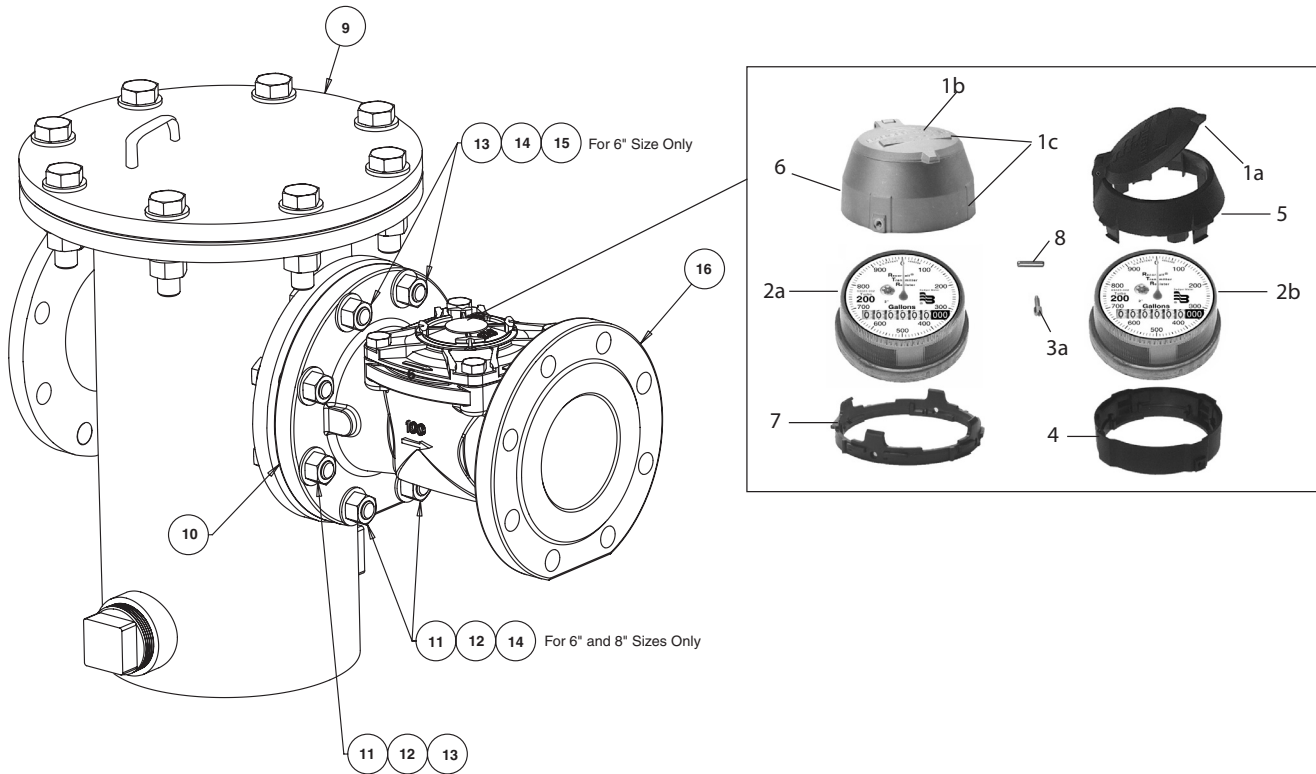


Badger Meter

Fire Series Meter
Sizes 3", 4", 6", 8", and 10"

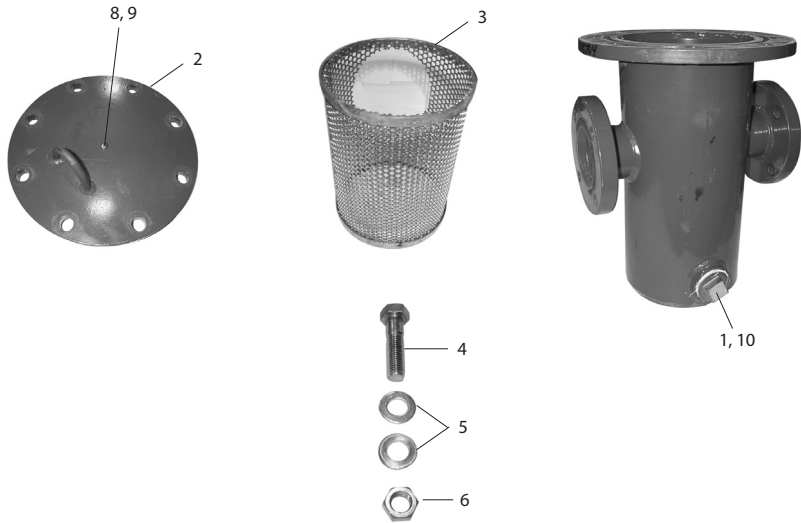


FSMA



Item	Description	Part Numbers				
		3"	4"	6"	8"	10"
1a	Register Flat Lid (Plastic)	62278-001	62278-001	62278-001	62278-001	62278-001
1b	Register Flat Lid (Bronze)	62353-001	62353-001	62353-001	62353-001	62353-001
1c	Register Flat Lid and Shroud (Bronze)	62616-001	62616-001	62616-001	62616-001	62616-001
2	Register, 100 Gal. T.C.	64015-001	64015-002	-----	-----	-----
2	Register, 1000 Gal. T.C.	-----	-----	64015-003	64015-004	64015-005
2	Register, 10 Cubic Ft. T.C.	64015-006	64015-007	-----	-----	-----
2	Register, 100 Cubic Ft. T.C.	-----	-----	64015-008	64015-009	64015-010
2	RTR Register 1000 Gal. T.C.	65426-003	65426-004	65426-017	65426-018	65426-019
2	RTR Register 100 Cubic Ft. T.C.	65426-007	65426-008	65426-020	65426-021	65426-022
3a	Screw Tamper-resistant, standard	62335-001	62335-001	62335-001	62335-001	62335-001
4	Plastic Shroud (Bottom Half)	62279-001	62279-001	62279-001	62279-001	62279-001
5	Plastic Shroud (Top Half)	62280-001	62280-001	62280-001	62280-001	62280-001
6	Bronze Shroud (For Flat Lid)	62442-001	62442-001	62442-001	62442-001	62442-001
7	Pls. Insert for Flat Lid Brz. Shroud	62455-001	62455-001	62455-001	62455-001	62455-001
8	Flat Lid Hinge Pin	59568-003	59568-003	59568-003	59568-003	59568-003
9	See Strainer	-----	-----	-----	-----	-----
10	Gasket	11071-009	11071-010	11071-011	11071-012	11071-013
11	Bolts	55026-175	55026-175	55026-202	55026-204	55026-232
12	Nuts	55001-061	55001-061	55001-062	55001-062	55001-063
13	Washers	55254-019	55254-019	55254-021	55254-021	55254-023
14	Jam Nuts	-----	-----	63891-001	63891-001	-----
15	Studs	-----	-----	63894-001	63894-001	-----
16	Cast Iron Turbo Series Meter	63010-016	63010-016	63010-017	63010-018	63010-019

Strainer



Item	Description	Part Number			
		3" & 4"	6"	8"	10"
1	Drain Plug	33879-012	33879-012	33879-012	33879-012
2	Strainer Cover	63892-025	63892-026	63892-027	63892-028
3	Strainer Element	63892-029	63892-030	63892-031	63892-032
4	Bolt	55026-204	55026-232	55026-289	55026-289
5	Washer	55254-021	55254-023	55254-026	55254-026
6	Nut	55001-062	55001-063	55001-065	55001-065
7	Cover O-ring (not pictured)	63892-041	63892-033	63892-034	63892-035
8	Vent Screw	65006-001	65006-001	65006-001	65006-001
9	Nylon Washer	63892-018	63892-018	63892-018	63892-018
10	Optional Valve (not pictured)	63769-006	63769-008	63769-008	63769-008

© 2011 Badger Meter, Inc. All rights reserved.



Due to continuous research, product improvements and enhancements, Badger Meter reserves the right to change product or system specifications without notice, except to the extent an outstanding contractual obligation exists.

Badger Meter | P.O. Box 245036, Milwaukee, Wisconsin 53224-9536
800-876-3837 | infocentral@badgermeter.com | www.badgermeter.com