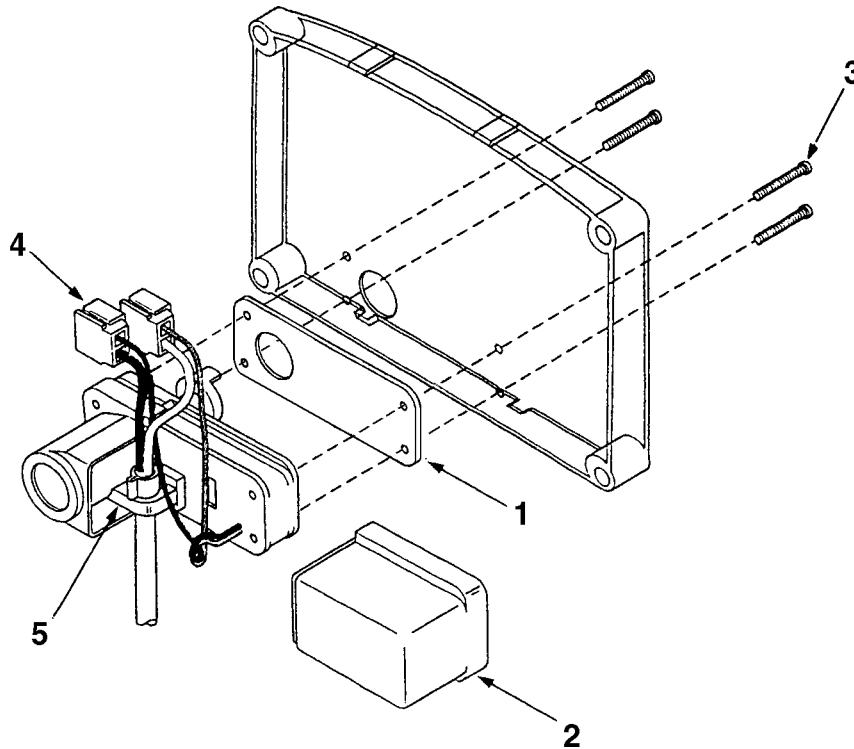


Model Gas-RT

Recordall® Transmitter - Gas

Repair Parts



ITEM #	PART #	PART NAME
1	62838-001	Gasket
2	59752-001	RT Cover
3	31820-026	TORX® Screws
4	59761-001	Gel-Splice Connector
5	59759-001	Strain Relief "Ear Clamp" 3/16" Cable 1/8" Cable

TORX® is a registered trademark of Carcar, Division of Textron, Inc.
Recordall® is a registered trademark of Badger Meter, Inc.

GRT-P-30

12-01



Please see our website at
www.badgermeter.com
for specific contacts.

Due to continuous research, product improvements and enhancements, Badger Meter reserves the right to change product or system specifications without notice, except to the extent an outstanding bid obligation exists.



BadgerMeter, Inc.

P.O. Box 245036, Milwaukee, WI 53224-9536
(800) 876-3837 / Fax: (888) 371-5982
www.badgermeter.com