



**Badger Meter**

**Fabricated Steel Plate Strainers**  
Sizes 8", 10", 12", 16" and 20"

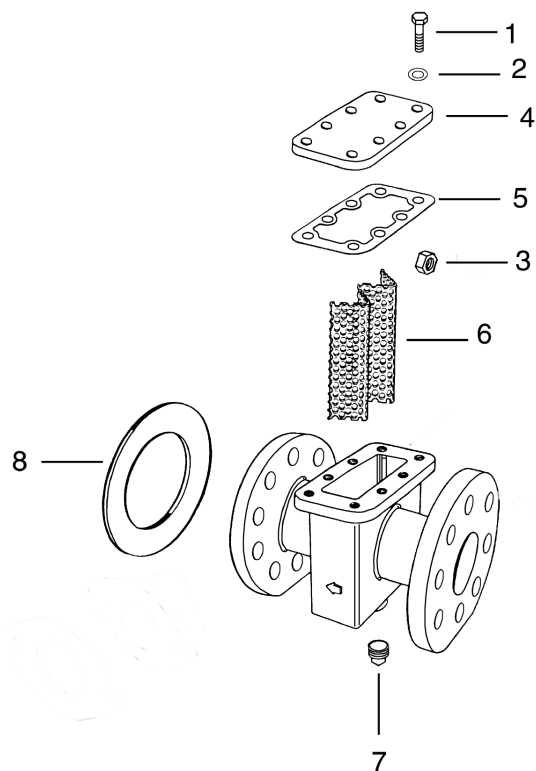


ITEM #	PART NAME	PART NUMBER				
		8" (10 bolt)	10"	12"	16"	20"
1	Bolt, Housing (Threaded Holes)	55026-118	55026-173	55026-173	55026-172	-----
1	Bolt, Housing (Non-Threaded Holes)	-----	-----	-----	55026-177	55026-180
2	Washer	55254-017	55254-019	55254-019	55254-019	55254-019
3	Nut (Non-Threaded Holes)	-----	-----	-----	55001-061	55001-061
4	Cover	63892-049	63892-053	63892-056	63892-047	63892-059
5	Cover, O-Ring	63892-050	63892-052	63892-055	63892-033	63892-058
6	Screen	63892-048	63892-051	63892-054	63892-046	63892-057
7	Plug, Drain	33879-019	33879-020	33879-021	33879-022	33879-022
8	Gasket, Flange	11071-012	11071-013	11071-014	11071-043	11071-044
9	Vent Screw (Not Pictured)	65006-001	65006-001	65006-001	65006-001	65006-001
10	Vent Screw Washer	63892-018	63892-018	63892-018	63892-018	63892-018

All of the abover components are for 2007 and newer strainers.

ITEM #	PART NAME	PART NUMBER		
		8" (12 bolt)	10"	12"
5	Cover, Gasket	65151-001	65430-001	65435-001
6	Screen	-----	65429-001	65434-001

All of the abover components are for pre-2007 strainers.



© 2011 Badger Meter, Inc. All rights reserved.



Due to continuous research, product improvements and enhancements, Badger Meter reserves the right to change product or system specifications without notice, except to the extent an outstanding contractual obligation exists.

**Badger Meter** | P.O. Box 245036, Milwaukee, Wisconsin 53224-9536  
800-876-3837 | [infocentral@badgermeter.com](mailto:infocentral@badgermeter.com) | [www.badgermeter.com](http://www.badgermeter.com)