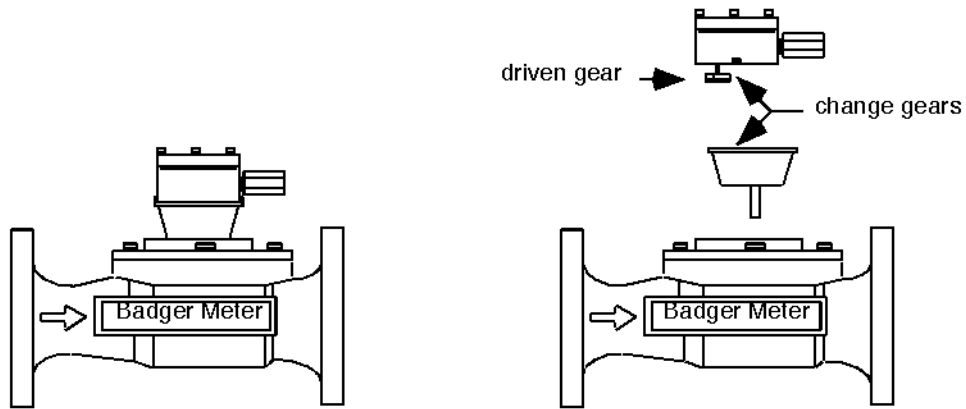


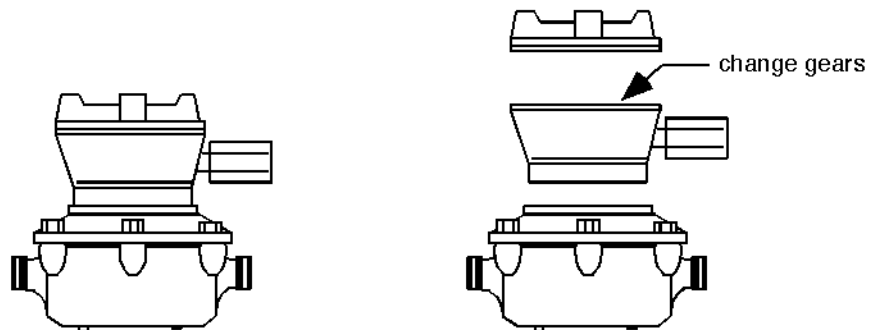
CHANGE GEAR LOCATION

DISC & TURBO METER

APPLICATION BRIEF



TURBO METER WITH MSE-1 TRANSMITTER



SCER WITH MSE-5 TRANSMITTER



BadgerMeter, Inc.

P. O. Box 245036 Milwaukee, WI 53224-9536

Telephone: (414) 355-0400

Fax: (414) 355-7499

®