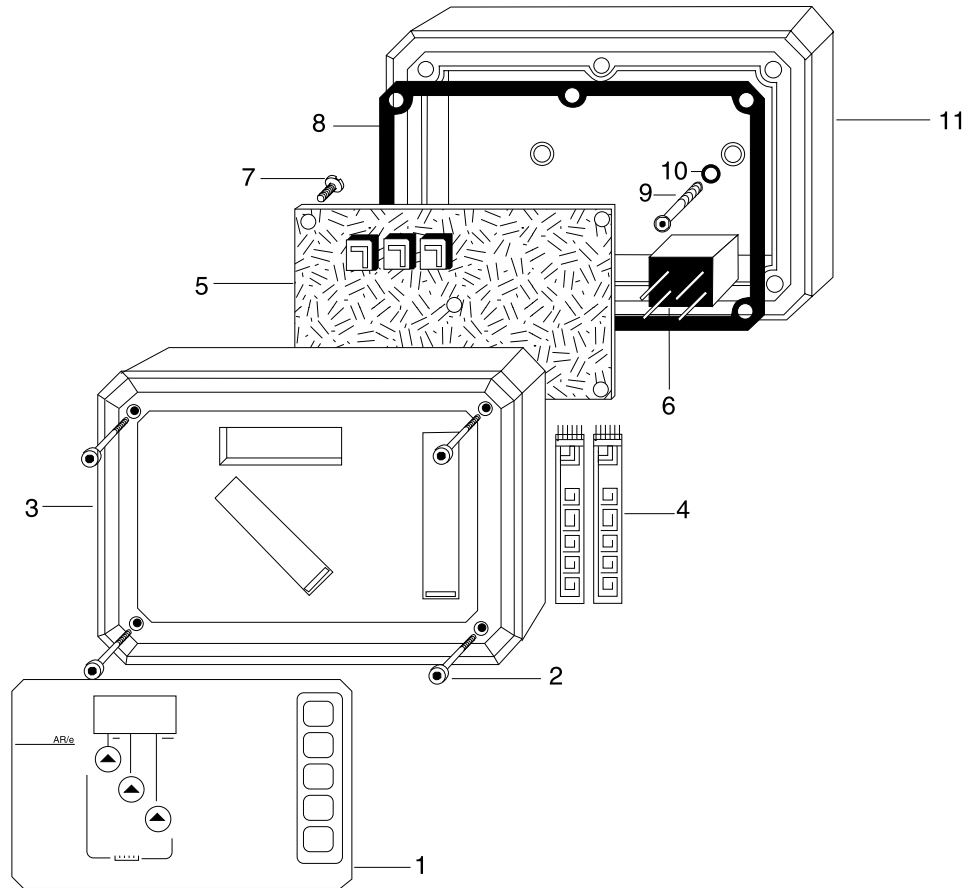


Model AR/e	Water Treatment Controller	Repair Parts
-------------------	-----------------------------------	-------------------------



NO.	PART DESCRIPTION	PART NO.
1	Label, AR/e	58675-001
2	Bolt, Hex, 5/16"	55316-235
3	Housing, Front	58683-001
4	Switch Assembly, Ribbon	58794-001
5	PC-Board Assembly	58709-001
6	Relay, Potter & Brumfield T81H5D312-05 (or equal)	
7	Screw, Board Assembly	31820-021
8	Gasket, Housing	58673-001
9	Screw, Mounting	55090-279
10	"O" Ring	55300-010
11	Housing, Back	58685-001
-	Fuse, 1/10 amp MDL series	

NOTES:

Field replaceable items on the PC board assembly (item 5) are the power fuse and output relay (item 6).

These items are readily available from your local supplier of electronic components. Refer to part description for further information.

IRP-052-04
Part No. 53401-052

2-06



Please see our website at
www.badgermeter.com
for specific contacts.

Due to continuous research, product improvements and enhancements, Badger Meter reserves the right to change product or system specifications without notice, except to the extent an outstanding contractual obligation exists.



BadgerMeter, Inc.
P.O. Box 245036, Milwaukee, WI 53224-9536
Telephone: (414) 355-0400 / (877) 243-1010
Fax: (414) 355-7499 / (866) 613-9305
www.badgermeter.com