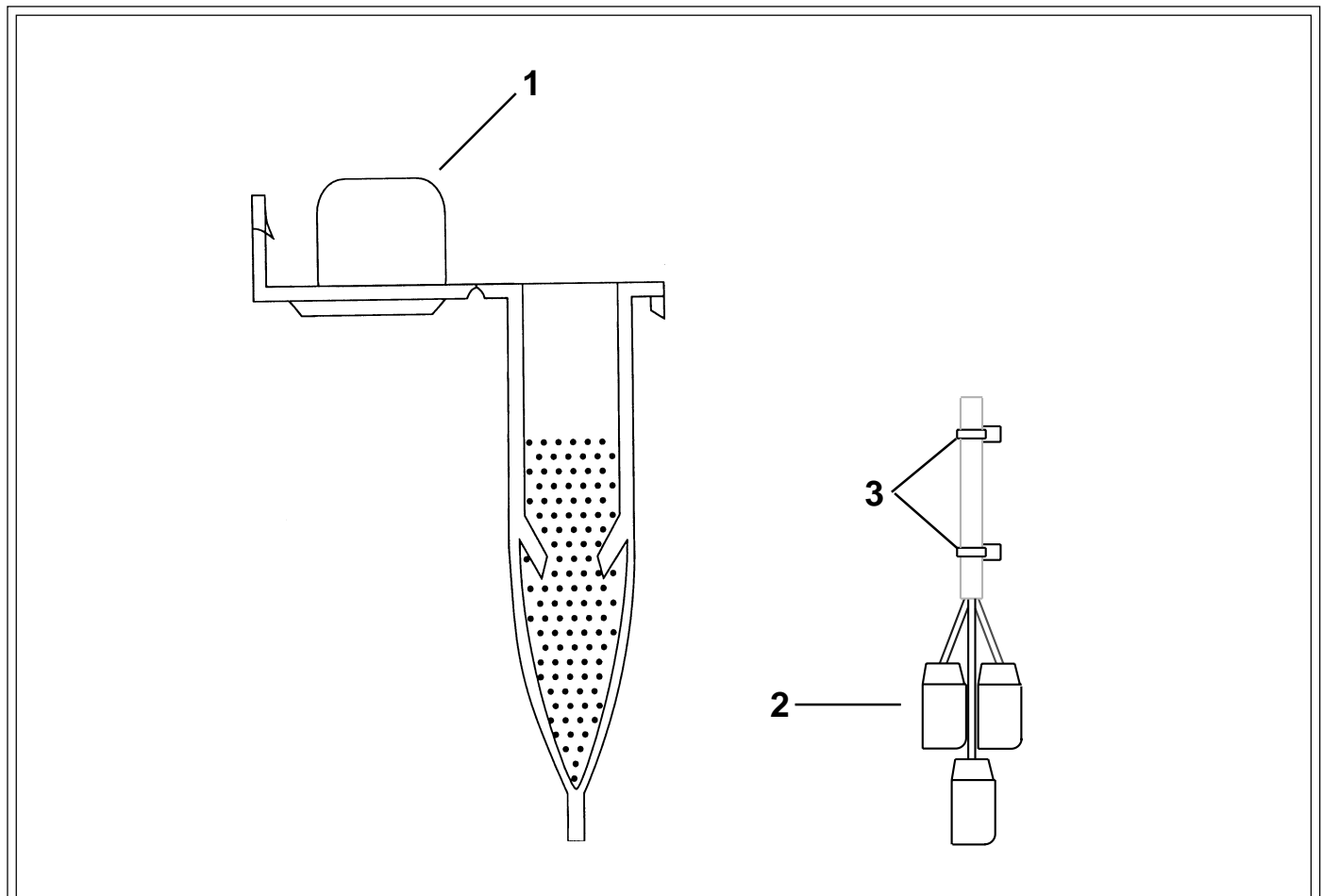


Model LMI & Model DTI	Field Splice Kit	Repair Parts
--------------------------------------	-------------------------	-------------------------



ITEM	PART#	PART NAME
1	62085-001	Splice Enclosure
2	59761-001	Gel-Splice
3	60238-001	Cable Tie - Strain Relief
4	62084-001	Splice Kit Complete
5	60238-006	Cable Tie - Strain Relief to Pipe (not shown)

RTR-P-15

12-01



Please see our website at
www.badgermeter.com
for specific contacts.

Due to continuous research, product improvements and enhancements, Badger Meter reserves the right to change product or system specifications without notice, except to the extent an outstanding bid obligation exists.



BadgerMeter, Inc.

P.O. Box 245036, Milwaukee, WI 53224-9536
(800) 876-3837 / Fax: (888) 371-5982

www.badgermeter.com