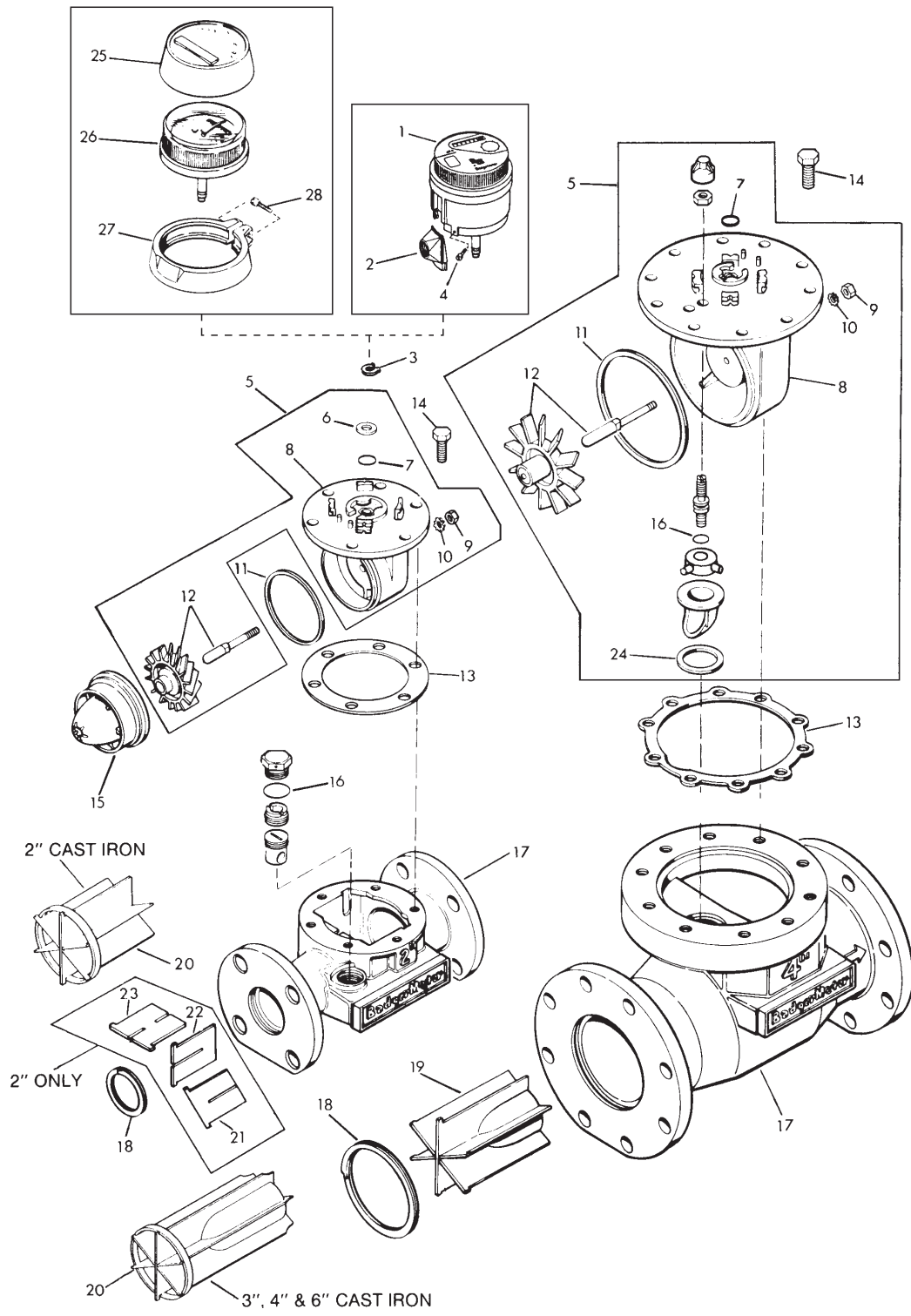


Model Turbo
(AR/t & Register
Accessories)

Industrial Turbine Meters

Repair
Parts



BadgerMeter, Inc.

IRP-050-09
Part No. 53401-050

ORDER INFORMATION: This repair parts bulletin shows an exploded view of the product with specific reference to those items available for replacement. The item number and part number may change at any time; therefore, it is important when placing an order that a complete description of the part, meter size, model, and serial number be provided if possible.

ITEM NO.	PART DESCRIPTION	PART NUMBERS			
		2"	3"	4"	6"
1	Pulse Transmitter (AR/t System)	Please advise meter size, model and unit of measure.			
2	Conduit Adaptor	58682-001	58682-001	58682-001	58682-001
3	Retaining Ring , Register Base (Bronze)	22886-012	22886-012	22886-012	22886-012
4	Mounting Screw	32140-000	32140-000	32140-000	32140-000
5	Head Assembly	Please advise meter size.			
6	Head Sleeve (Stainless Steel)	57337-001	57337-001	-----	-----
7	O-Ring , Register Base, Buna N	55300-110	55300-110	55300-110	55300-110
8	Head	34844-002	34844-002	56322-001	56426-001
9	Nut , Hex. Rotor Spindle	55006-035	55006-035	55007-028	55007-028
10	Lockwasher , Rotor Spindle	55274-008	55274-008	55274-011	55274-011
11	Tetraseal , Head, Buna N	22559-043	22559-043	22559-044	22559-045
12	Rotor & Spindle , Ryton, 2-Pole (Buna N Seal)	56998-034	56998-035	56998-036	56998-037
13	Gasket , Head	34899-003	34899-003	56331-003	56327-003
14	Bolt , Hex. Head	55030-166	55030-166	55031-116	55031-116
15	Nose Cone	57341-003	-----	-----	-----
16	O-Ring , Bypass Valve, Buna N	55300-022	55300-022	-----	-----
17	Housing , Cast Iron, 125# Flange (Std.)	58555-003	58556-003	59175-001	59177-001
17	Housing , Bronze, 150# Flange (Opt.)	56079-001	34841-001	56320-001	56348-001
18	Retaining Ring , Straightening Vane	34900-002	34900-001	34900-003	34900-004
19	Str. Vane Assembly , Bronze Housings	-----	58620-003	56340-005	56340-006
20	Str. Vane Assembly , Cast Iron Housings	62975-001	58620-004	58340-007	58340-008
21	Straightening Vane , Bronze Housings	56082-001	-----	-----	-----
22	Straightening Vane , Bronze Housings	56083-001	-----	-----	-----
23	Straightening Vane , Bronze Housings	56084-001	-----	-----	-----
24	Tetraseal , Bypass Inlet	-----	-----	22559-035	22559-038
	Dummy Cover (Not Shown)	56813-001	56813-001	56814-001	56815-001
	Gasket , Dummy Cover (Not Shown)	57646-001	57646-001	57647-001	57648-001
25	Register Cover (Plastic)	58647-001	58647-001	58647-001	58647-001
26	Register , 58931-Series	Please advise meter size, model and unit of measure.			
27	Clamp Ring Assembly	58111-001	58111-001	58111-001	58111-001
28	Seal Screw	26205-001	26205-001	26205-001	26205-001



Please see our website at
www.badgermeter.com
 for specific contacts.

Due to continuous research, product improvements and enhancements, Badger Meter reserves the right to change product or system specifications without notice, except to the extent an outstanding contractual obligation exists.



BadgerMeter, Inc.

P.O. Box 245036, Milwaukee, WI 53224-9536
 Telephone: (414) 355-0400 / (800) 456-5023
 Fax: (414) 355-7499 / (866) 613-9305
www.badgermeter.com